



Station on the Green Board Meeting Special Meeting Minutes

November 05, 2021

[Webinar](#)

9:00 a.m.

Members Present: Linda Coulter (Chair), Jeremy Ray, Brian Bell (Treasurer), Per Hahne, Debbie Hill, Tom Caswell, Deputy Mayor Barry Burton and Pattie Cleary.

Staff Present: Cayla Reimer, Committee Coordinator

1. Welcome

Chair, Linda Coulter called the meeting to order at 9:30 a.m.

2. Approval of [Agenda](#)

Resolution:

Moved by Jeremy Ray, seconded by Per Hahne, Be It Resolved that the Creemore Station on the Green Board hereby approve the Special Meeting Agenda dated November 05, 2021 as presented.

Motion Carried.

3. Disclosure of disqualifying interest

No disqualifying interests were disclosed.

4. Fire Panel

Jeremy provided a brief background on the faulty fire panel and investigation into the issue with the fire department. Per provided information on the site visit with Huronia Alarms and provided information as to the age and condition of the panel, as well as the fire extinguishers. The Board reviewed fire panel communications, unit specifics, and quote (attached). Per has scheduled the installation and replacement of fire panel and extinguishers.

The Board discussed using the memorial gift towards the cost of the installation and maintenance of the fire alarm system.

Resolution:

Moved by Per Hahne, seconded by Brian Bell, Be It Resolved That the Creemore Station on the Green Board hereby approve the purchase, installation, and maintenance of a new fire monitoring system and extinguisher exchange provided by Huronia Alarms in the amount of \$4,736.96 and a monthly monitoring fee of \$50 plus HST using funds from the in memorial donation.

Motion Carried.

5. Next Meeting – November 17, 2021 at 9:00 a.m.

6. Adjournment

Moved by Deputy Mayor Barry Burton, Be It Resolved That the Creemore Station on the Green Board hereby adjourn the Special Meeting at 9:42 a.m.

Date Minutes Approved: November 17, 2021.

Linda Coulter, Chair

Cayla Reimer, Committee Coordinator

From: "Per K. Hahne" <pk.hahne@gmail.com>
Date: October 31, 2021 at 11:41:23 AM EDT
To: Jeremy Ray <jray@outlook.com>
Subject: Fwd: Station On The Green : 22863-4-0:49949

Greetings Jeremy,

Here is the first of two quotes coming from Huronia. This one is as a result of our meeting with Chris. The quote from my meeting with Jon Casselman, also of Huronia will come shortly. His quote will pertain to the fire panel. I will forward upon receipt along with sending both to Cayla for inclusion in our next meeting. Between you and I we are likely looking at around \$5K (coincidence?) I think worthwhile considering using Lana's generous gift to "Keeping the SOTG safe".

Regards,

Per

Sent from my iPhone

Begin forwarded message:

From: Chris Johnson <CJohnson@huronialarms.com>
Date: October 30, 2021 at 10:09:25 AM EDT
To: "Per K. Hahne" <pk.hahne@gmail.com>
Subject: Re: Station On The Green : 22863-4-0:49949

Hi Per, no sorry I do not. He is jcasselman@huronialarms.com. Thanks Chris.

Get Outlook for iOS

From: Per K. Hahne <pk.hahne@gmail.com>
Sent: Saturday, October 30, 2021 9:55:04 AM
To: Chris Johnson <CJohnson@huronialarms.com>
Subject: Re: Station On The Green : 22863-4-0:49949

Thank you Chris. Any idea of when Jon will submit his end? I met with him at the SOTG Thursday the 28th.

Regards,

Per

Sent from my iPhone

On Oct 29, 2021, at 2:44 PM, Chris Johnson <CJohnson@huronialarms.com> wrote:

Hi Piere,

Attached is a quote to update the alarm panel at the Station to monitor the fire alarm and the burglary devices.

If you have any questions please let me know.

Thanks Chris

Chris Johnson
Sales Consultant
cjohnson@huronialarms.com
284 Pretty River Parkway
Collingwood, ON L9Y 4J5

T 705.445.4444 X1102
C 705.446.5680
F 705.445.7653
TF 800.504.3053 X1102
huronialarms.com

This email message is confidential, may be legally privileged and is intended for the exclusive use of the addressee. If you received this message in error or are not the intended recipient, you should destroy the email message and any attachments or copies, and you are prohibited from retaining, distributing, disclosing or using any information contained. Please inform us of the delivery error by return email. Thank you for your cooperation.



Features

- Six Class 'B' Input circuits
- Two Class 'B' Output circuit (2.0Amps)
- Meets latest ULC S-527-2011 Standard
- Signal Silence
- Audible tones are DIP Switch selectable for Steady and Temporal Code
- Powerful 3 mA capacity per zone for 2-wire smoke detectors
- Common alarm Relay contact, Form C, 28 VDC @ 3 AMP (Resistive)
- Common trouble Relay contact, Form C, 28 VDC @ 3 Amp (Resistive)
- A.C. ON LED (Green)
- Zone Alarm LED (Amber)
- Signal Trouble LED (Amber)
- Ground Fault LED (Amber)
- Battery Fault LED (Amber)
- Alarm Silenced LED (Amber)
- Common Trouble LED & Silence button
- Remote Trouble Indicator output
- Selectable 1 minute Signal silence inhibit
- Extensive Transient Protection on all circuits
- White or Red exterior colours
- All circuits are power limited
- Fully regulated 24 VDC Auxiliary Power, 250mA maximum
- All configurations performed by DIP switch

Description

The Mircom FA-106 panel is designed for fire alarm systems in small commercial, institutional and industrial occupancies. A slim-line design and a white exterior colour offer unobtrusive appearance to compliment any exterior.

The FA-106 includes one circuit board providing all the essentials for a complete fire alarm system. Six Class 'B' Input circuits and two Class 'B' Output circuits (2.0 Amps, 1.25 maximum per circuit) are provided by the FA-106. The Output circuits are protected from shorts by self-restoring circuitry.

The FA-106 is equipped with supervision for ground fault detection, battery low level or open wire fault, Input and Output circuit wiring faults and loss of A.C. power. The initiating circuits are supervised for opens and ground faults. The FA-106 has LED indicators for Zone Alarm, Zone Trouble, A.C. On, Battery Fault, Ground Fault, Common Trouble, Signal Trouble and Signal Silences and buttons for Zone Disconnect/ Silence, Buzzer Silence and Reset.

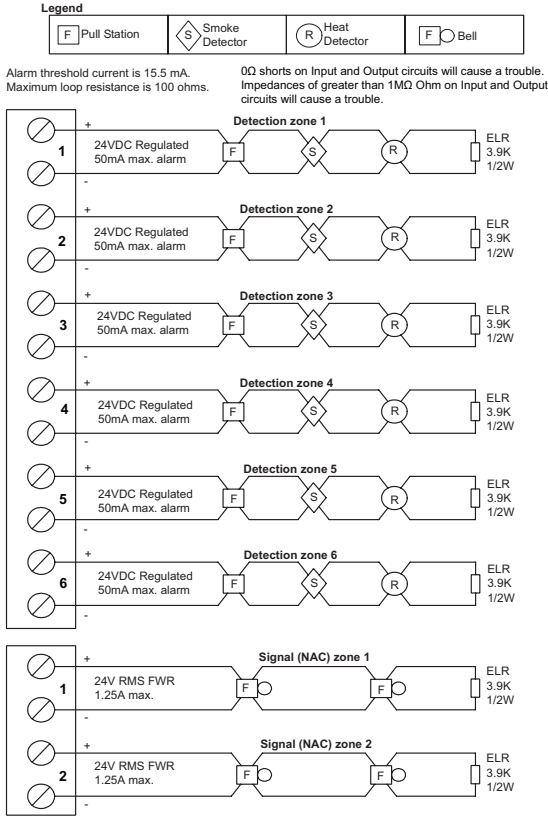
The FA-106 has selectable audible tones which can be configured via DIP for Steady and Temporal Code. The panel also includes a common alarm relay which is configurable (via DIP switch) to follow the signal circuit or lock on until the Alarm has been reset.

The cabinet is available in white or red colour and the Fire Retardant Lexan Window in the hinged door allows for viewing of the status LEDs. It comes with a durable CAT-30 lock and key. Space is provided for 5 to 7.0 AH batteries.

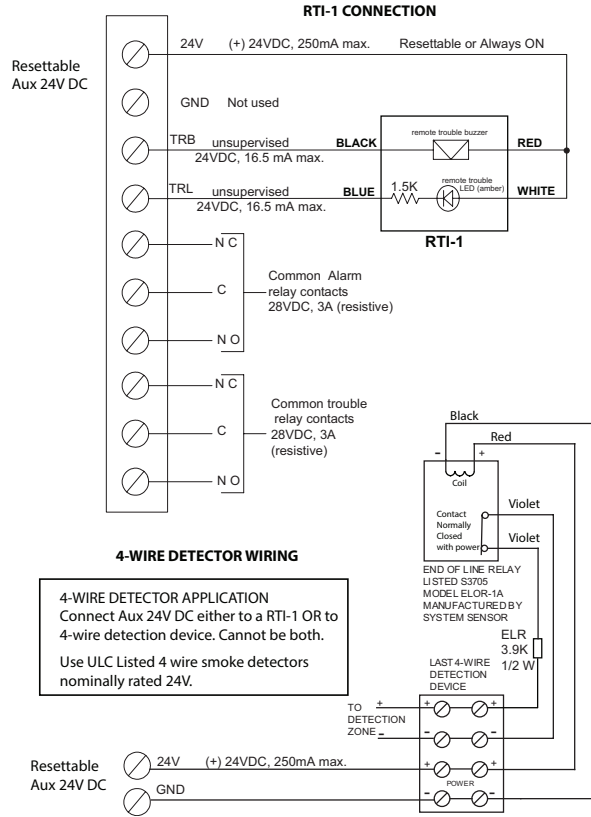


Wiring Diagrams

Input and Output Circuits Wiring Diagram



Alarm and trouble relay contacts Diagram



Technical Specifications

Input Circuits	Description
Output Voltage	24 VDC, fully regulated
Current Limited	50 mA
Supervisory Current	3 mA (up to 30, 2-wire smoke detectors @ 100 uA each)
Loop Resistance	100 ohms, max
End of Line Resistor	3.9Kohm ± 5%, 1/2W

Output Circuits	Description
Output Voltage	24 VDC (FWR)
Output Current	2.0A (1.25A max per circuit)
End of Line Resistor	3.9Kohm ±5%, 1/2W
Auxiliary Contacts	28 VDC, 3A (Resistive)
Auxiliary Power	250mA
Dimensions	13.7" (347mm) W x 12.7" (322mm) H x 2.8" (71mm) D

Ordering Information

Model	Description
FA-106	Six Zone Fire Alarm Unit, White Door
FA-106R	Six Zone Fire Alarm, Red Door
RTI-1	Remote Trouble indicator mounts onto a single gang electrical box
FA-102TR	Flush Trim Ring
BAT-12V5A	5AH Battery
BAT-12V7A	7AH Battery

NOT TO BE USED FOR INSTALLATION PURPOSES.



Canada
25 Interchange Way
Vaughan, Ontario L4K 5W3
Telephone: (905) 660-4655
Fax: (905) 660-4113

U.S.A.
4575 Witmer Industrial Estates
Niagara Falls, NY 14305
Toll Free: (888) 660-4655
Fax Toll Free: (888) 660-4113

Web page: <http://www.mircom.com> Email: mail@mircom.com

Distributed by:

ISO 9001:2008
REGISTERED



CAT. 5005
Rev.1



Security & Monitoring
Fire & Safety
Audio Video
Lock, Key & Safe

Collingwood Office
284 Pretty River Parkway
Collingwood, ON L9Y 4J5
T 705.445.4444
F 705.445.7653
TF 800.504.3053

Midland Office
233 Midland Avenue
Midland, ON L4R 3K1
T 705.792.9311
F 705.527.4530
TF 844.363.9311

Muskoka Office
544 Greer Road
Utterson, ON P0B 1M0
T 705.645.4108
F 705.385.1448
TF 800.265.1759

Summary of System Quotation Replacement Fire Alarm Control Panel quotation

SITE ADDRESS

Per Hahne
10 Caroline St, East
Creemore, ON,
905-616-1339

BILLING ADDRESS

Per Hahne
44 Clark Street
Collingwood, ON, L9Y0H9
905-616-1339

ONSITE CONTACT

Per Hanne
905-616-1339

pkhahne@gmail.com

Scope Of Work

We are pleased to offer for your consideration our proposal to supply the following fire alarm equipment and its verification at the above site location.

- One (1) New Mircom Model FA-106R Six Zone Fire Alarm Control Panel.
- Six Class "B" Input circuits
- Two Class "B" Output circuits
- Meets ULC S-527-2011 Standard
- Signal Silence
- Audible tones are DIP Switch selectable for Steady and Temporal Code
- Powerful 3 mA capacity per zone for 2 wire smoke detectors
- Common alarm & trouble Relay contacts, form C, 28 VDC @ 3 Amp (Resistive)
- AC on LED, Zone Alarm LED, Signal Trouble LED, Ground Fault LED, Battery Fault LED.
- Alarm Silenced LED, Common Trouble LED & Silence button.
- Remote Trouble Indicator output
- Selectable 1 minute Signal silence inhibit
- Red exterior colour
- All circuits are power limited
- Fully regulated 24 VDC Auxiliary Power, 250mA maximum.
- All configurations performed by DIP switch.
- 2 new 12volt 7amp back-up batteries for fire alarm panel.
- 4 new Mircom End of Line resistors with face plate.

Perform annual inspection of Emergency Lighting & Fire Extinguishers. Provide inspection reports

TOTAL COST \$2,722.00 plus HST

Price includes 3rd party electrical contractor to install as per CAN/ULC-S524 & ESA.

Verification will be performed by a certified Fire Alarm Technicians .

Verification - is performed to ULC-S537 standard. Any requested changes by AHJ are extra.

Huronia Alarms are not responsible for the existing wiring or installed devices .

NOTE: Price does not include building permit or engineered drawing if required.

See next page.....



Security & Monitoring
Fire & Safety
Audio Video
Lock, Key & Safe

Collingwood Office
284 Pretty River Parkway
Collingwood, ON L9Y 4J5
T 705.445.4444
F 705.445.7653
TF 800.504.3053

Midland Office
233 Midland Avenue
Midland, ON L4R 3K1
T 705.792.9311
F 705.527.4530
TF 844.363.9311

Muskoka Office
544 Greer Road
Utterson, ON POB 1M0
T 705.645.4108
F 705.385.1448
TF 800.265.1759

TERMS & CONDITIONS

1. I hereby accept this quotation, and agree to remit payment as set out herein.
2. I understand that Huronia Alarm & Fire Security Inc. is not an insurer and is not responsible in any way for loss and/or damages resulting from equipment failure, human error, or otherwise.
3. Pricing is valid for 30 days from the date noted above, beyond that, pricing may be revised.
4. All equipment remains the property of Huronia Alarm & Fire Security Inc. until payment is made in full.
5. The Customer acknowledges that the system described in the Project Scope contained in this agreement is adequate and sufficient. Scope after consultation with their insurance company, the insurance underwriters, an independent consultant, or any other individual the Customer may wish to consult.
6. It is understood that Huronia Alarm & Fire Security Inc. is not an insurer and that the amounts payable herein above are based upon the value of the services and the scope of liability as herein set forth and are unrelated to the value of the Customer's property or the property of others located in the Customer's premise .
If Huronia Alarm & Fire Security Inc. should be found liable for loss, damage, injury or death due to the failure of service or equipment in any respect, its liability shall be limited to the annual value of the services provided as agreed upon damages and not as a penalty, as the exclusive remedy. The provisions of this paragraph shall apply if loss, damage injury or death irrespective of cause or origin, results directly or indirectly to person or property from performance or non-performance of obligations imposed by this agreement or from negligence, active or otherwise, of Huronia Alarm & Fire Security Inc. its agents or employees.

Please acknowledge your acceptance of this proposal by returning a signed copy at your earliest opportunity so we can arrange for the installation of the replacement panel and its verification as quickly as possible.

Customer Name

Date

Signature

P.O. #

Terms: Net 30 days from date of verification.

Date: November 1, 2021

Quote valid for 30 days



Security & Monitoring
Fire & Safety
Audio Video
Lock, Key & Safe

Proposal #: 31072-1-0

Date: 2021-11-01

Collingwood Office
284 Pretty River Parkway
Collingwood, ON L9Y 4J5
T 705.445.4444
F 705.445.7653
TF 800.504.3053

Midland Office
233 Midland Avenue
Midland, ON L4R 3K1
T 705.792.9311
F 705.527.4530
TF 844.363.9311

Muskoka Office
544 Greer Road
Utterson, ON P0B 1M0
T 705.645.4108
F 705.385.1448
TF 800.265.1759

Submitted By: Jon Casselman

Signature: *Jon Casselman*