



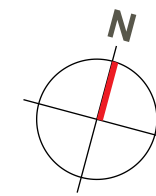
Signage Proposal - R3 (CV)

PROJECT ID:	AM6-94410C
CLIENT:	McDonald's Store # 41511
ADDRESS:	Hwy 26 and Grand Trunk Rd Stayner, ON
DATE:	01-22-2025
CONTACT:	Aurela Michaud
DESIGNER:	Claudia Vogt

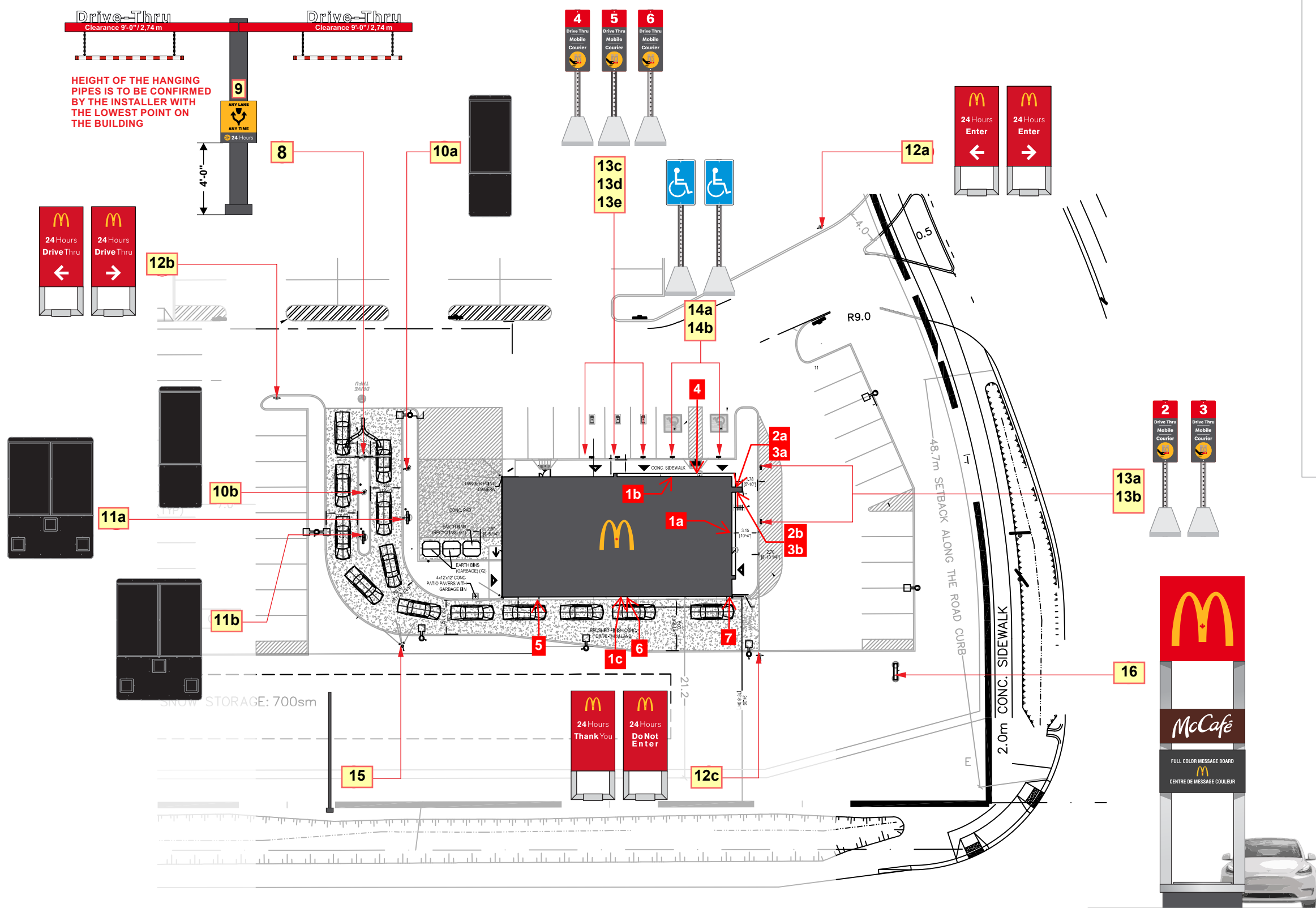
Pattison



1.866.635.1110
pattisonid.com



Site Plan



- | # | Description |
|----|---|
| 1. | Non-illuminated 2-Lane VHD with Swing Arms see MCDO0CS3XX0011 and Illuminated ALAT/24H Appendage Sign see MCDO0SF4P30053
Sign Area: 4.67 Ft ² - 0.43 M ² (appendage) |
| 2. | Digital Presell Board MCDO0ME4E30001 supplied and installed by Pattison ID
Sign Area: 16.38 Ft ² - 1.52 M ² |
| 3. | Digital Menu Board MCDO0ME4E30003 supplied and installed by Pattison ID
Sign Area: 33.22 Ft ² - 3.09 M ² |
| 4. | Illuminated Directional Sign see MCDO0DR4B30003
Sign Area: 7.32 Ft ² - 0.68 M ² |
| 5. | NP6 Camera Post see MCDO0ST3XX0022
LOCATION T.B.C.BY GC PRIOR TO POURING BASES/INSTALL |
| 6. | Reserved Parking Signs MCDO0SFXAX0072 with Omega Post & Concrete Block MCDO0AS4XX0050
Sign Area: 2.50 Ft ² - 0.23 M ² |
| 7. | S/F Accessible Parking Sign see MCDO0SFXAX0028 with Omega Post & Concrete Block MCDO0AS4XX0050
Sign Area: 2.14 Ft ² - 0.20 M ² |
| 8. | D/F illuminated Road Sign see page 5
Sign Area: 74.50 Ft ² - 6.92 M ² |

Project ID
AM6-94410C

McDonald's # 41511
Hwy 26 & Grand Trunk Rd
Stayner, ON

Sign Item

Date: 01-22-2025
Scale: 3/32"=1'-0"
Contact: Aurela Michaud
Designer: Claudia Vogt

Revision Note

Text box

Information Required for Production

Text box

Customer Approval

Signature _____
MM/DD/YYYY _____

All rights reserved. The artwork depicted herein are copyrighted and are the exclusive property of Pattison ID and as such cannot be reproduced and/or distributed, in whole or in part, without written permission of Pattison ID.

It is the Customer's responsibility to ensure that the sign installation location is suitable to accept and support the installation of the signs being ordered. Notify Pattison ID immediately if further details are required.

THE KINGS HWY NO. 26

NOTE: TECHNICAL SURVEY HAS NOT BEEN PERFORMED. DIMENSIONS MUST BE VERIFIED PRIOR TO PRODUCTION.

Overall site plan

Description

- 1. Replacement faces for multi-tenant pylon sign see page 7

Project ID
AM6-94410C

McDonald's # 41511
Hwy 26 & Grand Trunk Rd
Stayner, ON

Sign Item

Date: 01-22-2025
Scale: n.t.s.
Contact: Aurela Michaud
Designer: Claudia Vogt

Revision Note

R1 (CV) - 03.05.2025
- added page

Information Required for Production

Text box

Customer Approval

Signature

MM/DD/YYYY

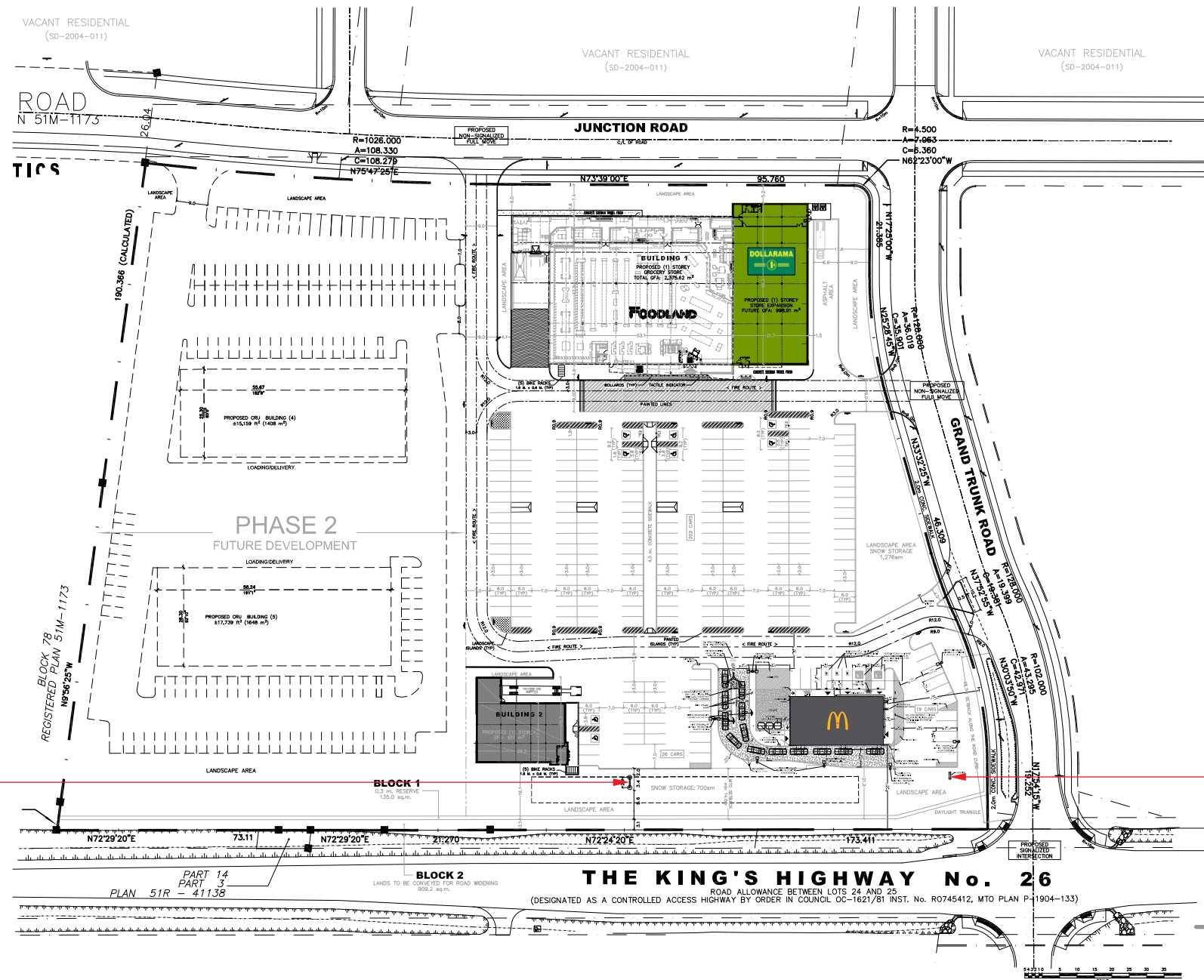
All rights reserved. The artwork depicted herein are copyrighted and are the exclusive property of Pattison ID and as such cannot be reproduced and/or distributed, in whole or in part, without written permission of Pattison ID.

It is the Customer's responsibility to ensure that the sign installation location is suitable to accept and support the installation of the signs being ordered. Notify Pattison ID immediately if further details are required.

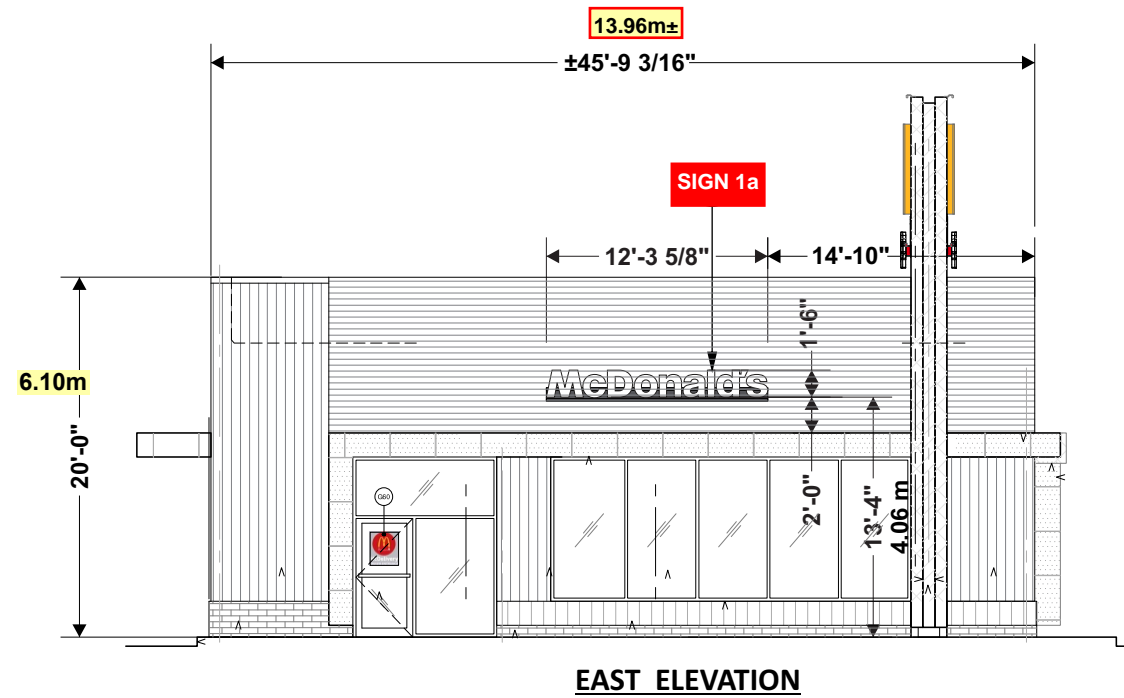
Pattison



1.866.635.1110
pattisonid.com

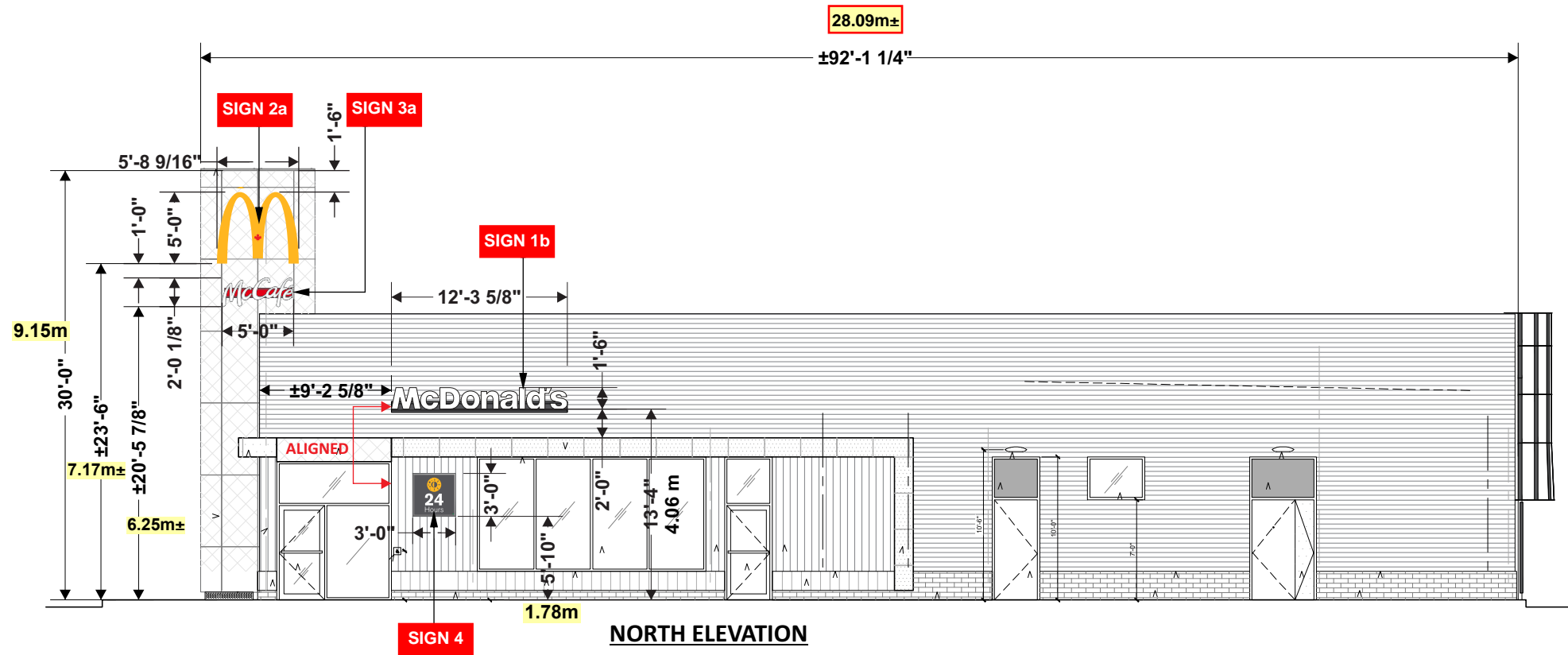


NOTE: TECHNICAL SURVEY HAS NOT BEEN PERFORMED. DIMENSIONS MUST BE VERIFIED PRIOR TO PRODUCTION.



EAST ELEVATION

REMOVED BRICK DECOR FROM BLADE - BLADE EXTENSION IS ILLUSTRATIVE NO REVISED ELEVATIONS PROVIDED



NORTH ELEVATION

Exterior Elevation

#	Description
1.	18" Illuminated Channel Letters see MCD1C4D7146 Sign Area: 18.45 FT² - 1.71 M²
2.	60" Illuminated Arches Logo Sign See MCD1S4D7037 Sign Area: 29.05 FT² - 2.69 M²
3.	60" Illuminated McCafé Channel Letters on Raceway see MCD00CH4P30057 Sign Area: 10.05 FT² - 0.93 M²
4.	36" Illuminated S/F 24H Sign see MCD00SF4P30055 Sign Area: 9.00 FT² - 0.84 M²
* Blade by Pattison ID see Page 8	

Project ID
AM6-94410C

McDonald's # 41511
Hwy 26 & Grand Trunk Rd
Stayner, ON

Sign Item

Date: 01-22-2025
Scale: 3/32"=1'-0"
Contact: Aurela Michaud
Designer: Claudia Vogt

Revision Note

R1 (CV) - 04.07.2025
- added page
R2 (CV) - 05.05.2025
- added blade

ADDITIONAL WALL SUPPORT/BACKING BEHIND SIGN AREA SUPPLIED BY OTHERS

Information Required for Production

Text box

Customer Approval

Signature

MM/DD/YYYY

All rights reserved. The artwork depicted herein are copyrighted and are the exclusive property of Pattison ID and as such cannot be reproduced and/or distributed, in whole or in part, without written permission of Pattison ID.

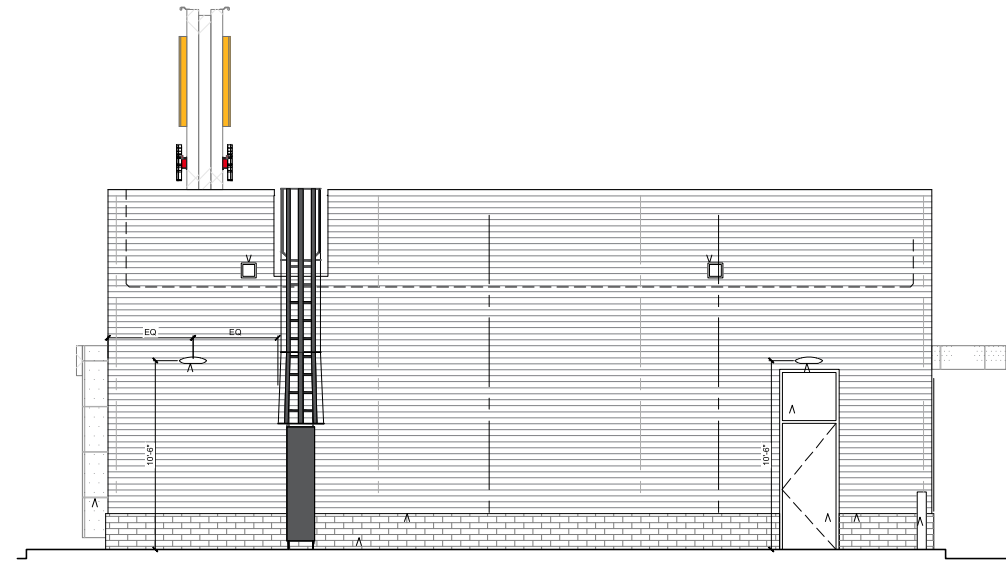
It is the Customer's responsibility to ensure that the sign installation location is suitable to accept and support the installation of the signs being ordered. Notify Pattison ID immediately if further details are required.

Pattison



1.866.635.1110
pattisonid.com

NOTE: TECHNICAL SURVEY HAS NOT BEEN PERFORMED. DIMENSIONS MUST BE VERIFIED PRIOR TO PRODUCTION.



WEST ELEVATION

Exterior Elevation

#	Description
1.	18" Illuminated Channel Letters see MCD1C4D7146 Sign Area: 18.45 FT ² - 1.71 M ²
2.	60" Illuminated Arches Logo Sign See MCD1S4D7037 Sign Area: 29.05 FT ² - 2.69 M ²
3.	60" Illuminated McCafé Channel Letters on Raceway see MCD00CH4P30057 Sign Area: 10.05 FT ² - 0.93 M ²
4.	Non-illuminated Pull Forward DT Window Signs see MCD1S9KX007, MCD1S9KX013 & MCD1S9KX014 Sign Area: 1.5 Ft ² - 0.14 M ²

Project ID
AM6-94410C

McDonald's # 41511
Hwy 26 & Grand Trunk Rd
Stayner, ON

Sign Item

Date: 01-22-2025
Scale: 3/32"=1'-0"
Contact: Aurela Michaud
Designer: Claudia Vogt

Revision Note

R1 (CV) - 04.07.2025
- added page
R2 (CV) - 05.05.2025
- added blade

**ADDITIONAL WALL SUPPORT/BACKING
BEHIND SIGN AREA SUPPLIED BY OTHERS**

**Information Required
for Production**

Text box

Customer Approval

Signature

MM/DD/YYYY

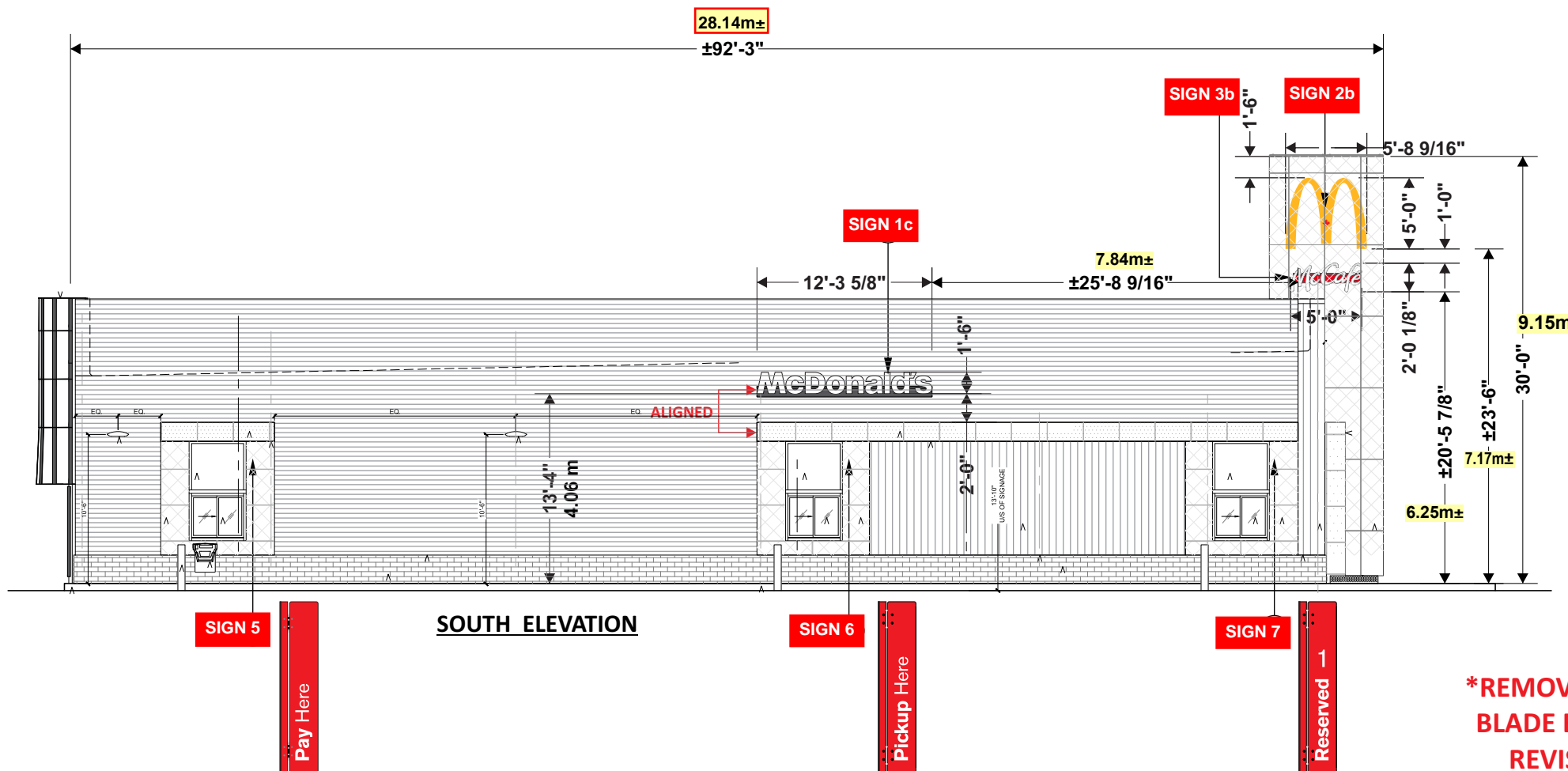
All rights reserved. The artwork depicted herein are copyrighted and are the exclusive property of Pattison ID and as such cannot be reproduced and/or distributed, in whole or in part, without written permission of Pattison ID.

It is the Customer's responsibility to ensure that the sign installation location is suitable to accept and support the installation of the signs being ordered. Notify Pattison ID immediately if further details are required.

Pattison



1.866.635.1110
pattisonid.com



SOUTH ELEVATION

***REMOVED BRICK DECOR FROM BLADE -
BLADE EXTENSION IS ILLUSTRATIVE NO
REVISED ELEVATIONS PROVIDED***

NOTE: TECHNICAL SURVEY HAS NOT BEEN PERFORMED. DIMENSIONS MUST BE VERIFIED PRIOR TO PRODUCTION.

SIGN 1a to 1c - ILLUMINATED CHANNEL LETTERS FASCIA SIGN (x3)

MCD1C4D7146

ILLUMINATED CHANNEL LETTERS

Installation: Interior: Exterior:

Electrical specifications:

Volts: 120 Amp.: 1.4 Circ.: 1

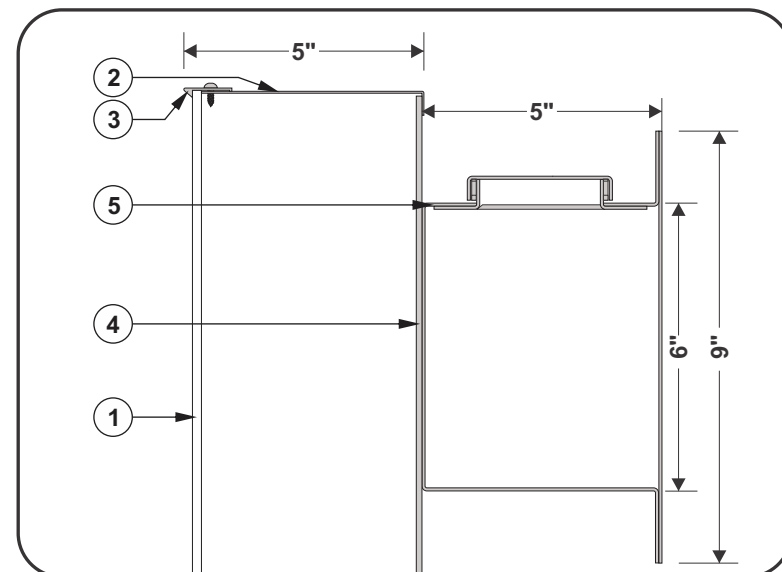
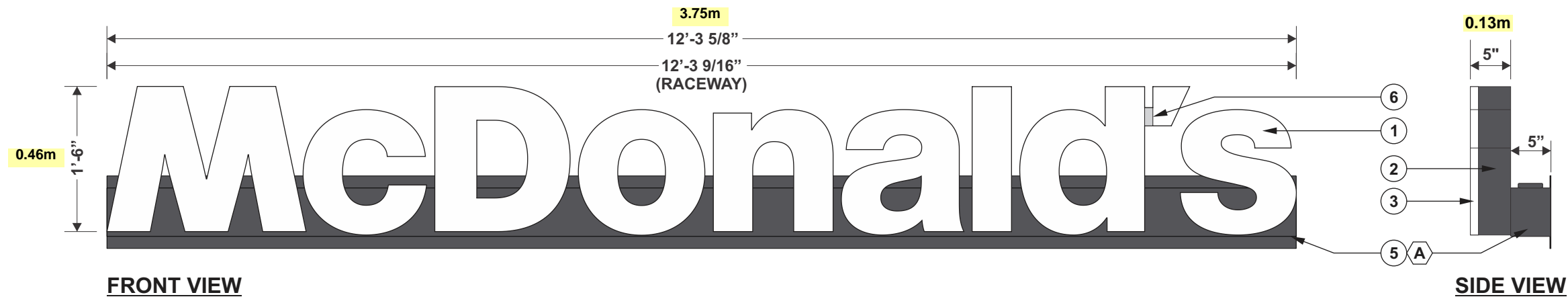
#	Descriptions:
1	0.118 TK. WHITE SABIC #WH9G186 POLYCARBONATE FACE
2	0.040"TK. ALUMINUM COIL PRE-PAINTED CLEAR SATIN ANODIZED (SILVER) CABINET
3	1" WHITE TRIM CAP RETAINER
4	3MM WHITE ACM BACKING
5	0.064"TK. FABRICATED ALUMINUM RACEWAY
6	0.040" TK. ALUMINUM PRE-PAINTED CLEAR SATIN ANODIZED (SILVER) CAPPING

Notes:
 1 SEE TECHNICAL DRAWING MCD1C4D7117S FOR MORE DETAIL

#	Colors:
A	PAINTED TO MATCH COOL GREY PMS 11C

#	Revision(s)	By:	Date:
1	REVISED TO MATCH STD.	LL	11.01.2023
2	REVISED LED TO HAVE 50K	CC	03.05.2024
3	REVISED T.B.D. COLOR FOR STANDARD COLOR	LL	04.02.2024
4	REVISED COLOR FOR NEW STANDARD COLOR	LL	05.22.2024

SIGN AREA: 1.73m²



DETAIL VIEW
 SCALE: 3" = 1'-0"

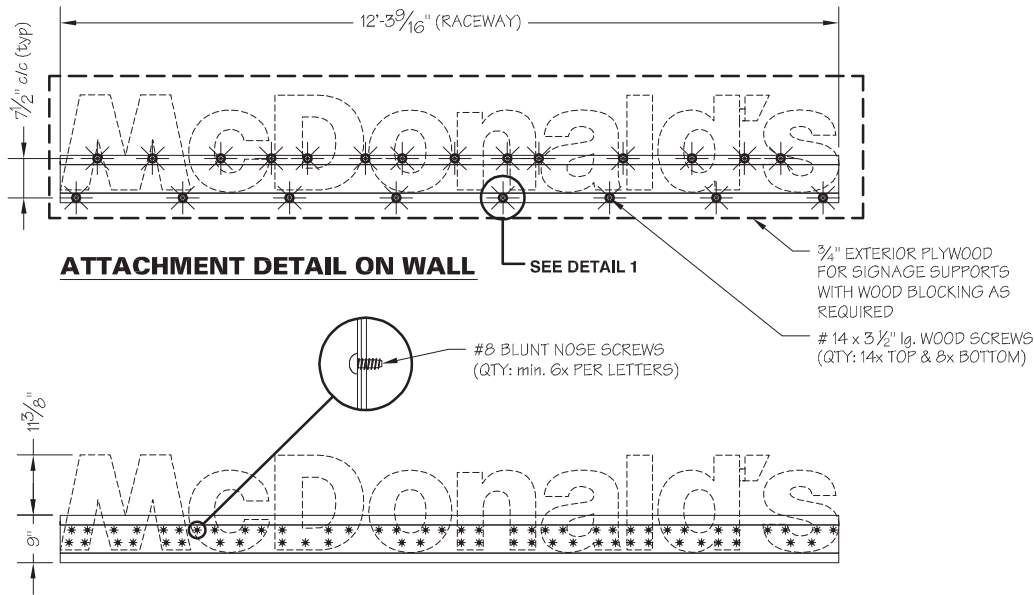
Customer Approval: _____	Date: ____/____/____
PRODUCTION INFORMATION : LF 12.19.2023	
FSMCD1 (Mc Donald)\New Wordmark\Channel\Agilight Signrayz\MCD1C4D7146 MCDO 1'-6" (Raceway)	Descriptions: Plate #:
	LEXAN MCD1C4D7117-1
	ACM MCD1C4D7146-1
	ALUMINUM MCD1C4D7117-3
	TRIM MACHINE MCD1C4D7117ER
	CHANNEL (BENDER) MCD1C4D7146-2ER
XX	XX
XX	XX

www.pattisonsign.com



Tel: (506) 735-5506 | Fax: (877) 737-1734 | Toll Free: 1-800-561-9798

Client:	MCDONALD'S		
Site:	VARIOUS		
Draftsman:	LOUISE LANDRY	Date:	11.01.2023
Checked By:	CC		
Page:	1/3	Scale:	3/4" = 1'-0"



MCD1C4D7146

ATTACHMENT DETAIL FOR TYPICAL CORRUGATED METAL WALL CONSTRUCTION

VOLTS: --- AMPS: --- CIRC.: ---

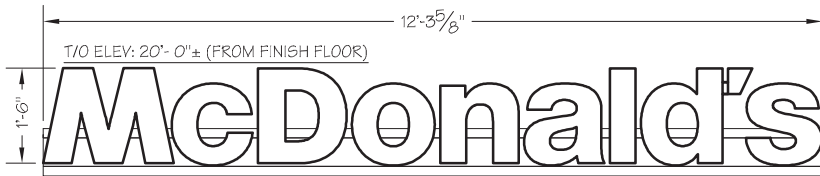
DESIGN WIND LOAD
 Q 1/50 = 0.48 kPa (10.02 psf)
 FOR CONNECTION DETAIL ONLY

ACCEPTABLE CITIES FOR THE DESIGNED WIND LOAD:

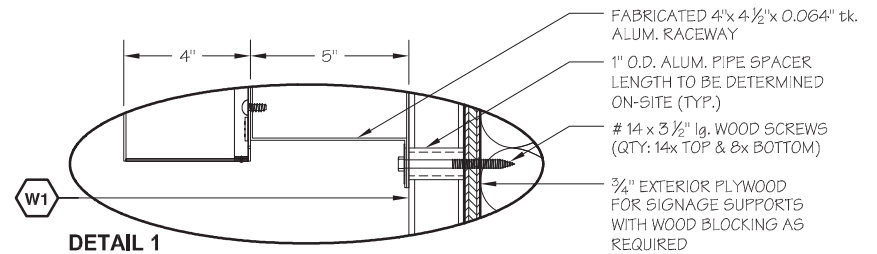
- ONTARIO OBC 2012
- BRAMPTON
 - SCARBOROUGH
 - ETOBICOKE
 - TORONTO
 - MISSISSAUGA
 - MARKHAM
 - VAUGHAN
 - HAMILTON
 - KITCHENER
 - OSHAWA
 - LONDON
 - PETERBOROUGH
 - GUELPH
 - CAMBRIDGE
 - BURLINGTON
 - PICKERING
 - KINGSTON
 - MILTON

- BRITISH COLUMBIA NBCC 2010
- VANCOUVER
 - SURREY
 - LANGLEY
 - ABBOTSFORD
 - RICHMOND
 - BURNABY
 - CHILLIWACK

- METAL SIDING WALL BY BASE BUILDING ENGINEER**
- W1
- CORRUGATED METAL METAL SIDING
 - BLUESKIN ICE AND WATER SHIELD
 - 3/4" EXTERIOR GRADE PLYWOOD
 - 3/4" HORIZONTAL STRAPPING @ 24" O/C
 - 2X6" STUD FRAMING @ 16" O/C
 - 3/4" EXTERIOR GRADE PLYWOOD
 - BLUESKIN ICE AND WATER SHIELD
 - METAL FLASHING



WEIGHT: ±108 lbs



Wall Sign Attachments

Sign attachment design is normally calculated based on detailed wall section drawings. Failure to provide accurate wall section and other building design details may cause additional installation cost. Pattison Sign Group will not take any responsibility for inaccurate information provided.

ENSEIGNES PATTISON SIGN GROUP

• Tel (506) 735-5506 • Fax (506) 737-1740 • Toll Free 1-800-561-9798

CLIENT:	MCDONALDS	
SITE:	VARIOUS	
DRAFTSMAN:	F.GAGNON	DATE:
CHECK BY:	MC	05/08/15
PAGE:	1/1	SCALE/ECH: 1/2" = 1' - 0"
PROJECT:	VARIOUS	

This Sign Intended to be installed in accordance with the requirements of Article 600 of the National Electrical Code and / or other applicable local codes. This includes proper grounding and bonding of sign.

Pattison Sign Group illuminated signs contain Fluorescent, Neon and / or HID Lamps. These lamps contain Mercury (HG). Dispose of these lamps according to Local, Provincial, State, or Federal Laws.

If this agreement indicates the manufacturing and installation of a brand by Pattison Sign Group, for the sign or other brands, each brand shall be built and installed in accordance with applicable laws and regulations. If a brand is to be built or provided by the Customer for the sign, and not by Pattison Sign Group, the Customer shall ensure that the brand is safe and installed in accordance with applicable laws and regulations and shall hold Pattison Sign Group harmless and indemnify it against any and all claims, liabilities, and/or damages, losses, and any legal fees incurred by Pattison Sign Group arising from the failure of the Customer (and/or its agent) in doing so.

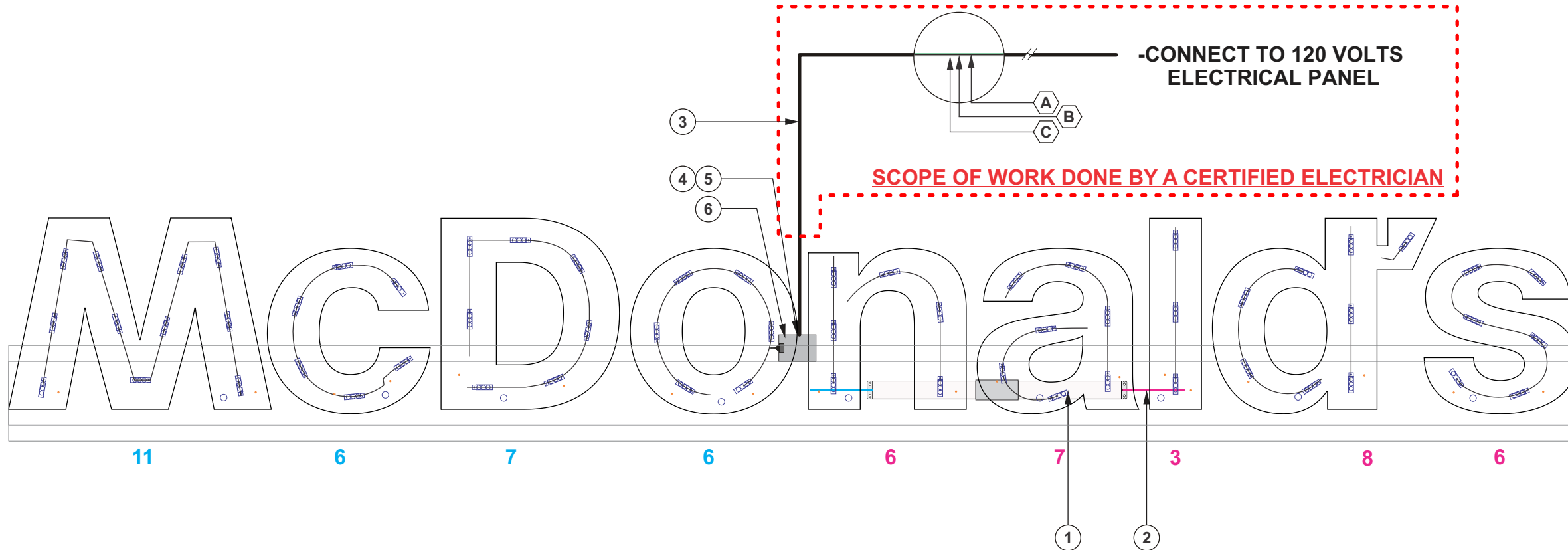
www.pattisonsign.com

MCD1C4D7146

LED & ELECTRICAL LAYOUT

LED MODULE INFO:		POWER SUPPLY INFO:		MAXIMUM LOAD PER POWER SUPPLY
TYPE:	QTY:	TYPE:	QTY:	
AGILIGHT LS-U670-50K-B250 (LEMO0353)	60	PS12-60WSL-100-277V IP67 (0.7 AMPS) (LEPS0007)	2	44 LED MODULES

Installation:	<input type="checkbox"/> Interior:	<input checked="" type="checkbox"/> Exterior:	
Electrical specifications:			
Volts:	120	Amp.: 1.4	Circ.: 1
#	Descriptions:		
1	CLASS 2 POWER SUPPLY		
2	LOW VOLTAGE CLASS 2 POWER WIRES		
3	120 VOLTS PRIMARY IN CONDUIT (BY OTHER)		
4	DISCONNECT TOGGLE SWITCH		
5	INSTALLATION INPUT 120 VOLTS		
6	JUNCTION BOX		



- # Notes:
- CONDUCTOR OPERATING AT DIFFERENT POTENTIALS THEN CLASS 2 IN AN ENCLOSURE SHALL BE SEPARATED OR SEGREGATED FROM THE CLASS 2 CONDUCTORS
 - ELECTRICAL HOOK UP SUPPLIED BY OTHER
 - MAXIMUM DISTANCE BETWEEN LED LETTERS & POWER SUPPLY:
18FT. FOR 18 WIRE GAUGE
29FT. FOR 16 WIRE GAUGE

#	Colors:
A	GREEN ELECTRICAL WIRE
B	BLACK ELECTRICAL WIRE
C	WHITE ELECTRICAL WIRE

CONNECT TO POWER SUPPLY #1

CONNECT TO POWER SUPPLY #2

⚠ WARNING!

RISK OF ELECTRIC SHOCK:
 Turn power OFF before inspection, installation or removal.

RISK OF FIRE:
 Use only approved wire for input/output connections.

This sign is intended to be installed in accordance with the requirements of Article 600 of the National Electrical Code and Section 14 of the Canadian Electrical Code and other applicable local codes. This includes proper grounding and bonding of the sign.

Pattison Sign Group illuminated signs contain Fluorescent, Neon and/or HID Lamps. These lamps contain Mercury (Hg). Dispose of these lamps according to Local, Provincial, State, or Federal Laws.

IF THIS AGREEMENT INCLUDES THE MANUFACTURING AND INSTALLATION OF A BASE(S) BY PATTISON SIGN GROUP FOR THE SIGNS ORDERED HEREIN, SUCH BASE(S) SHALL BE BUILT AND INSTALLED IN ACCORDANCE WITH APPLICABLE LAWS AND REGULATIONS. IF A BASE(S) IS TO BE BUILT OR PROVIDED BY THE CUSTOMER (OR HIS AGENT), AND NOT BY PATTISON SIGN GROUP, THE CUSTOMER SHALL ENSURE THAT THE BASE(S) ARE BUILT AND INSTALLED IN ACCORDANCE WITH APPLICABLE LAWS AND REGULATIONS AND SHALL HOLD PATTISON SIGN GROUP HARMLESS AND INDEMNIFY AGAINST ANY AND ALL CLAIMS, LIABILITIES, ACTIONS, PENALTIES, FINES, AND ANY LEGAL FEES INCURRED BY PATTISON SIGN GROUP ARISING FROM THE FAILURE OF THE CUSTOMER (AND/OR IT'S AGENT) IN DOING SO.

www.pattison.com

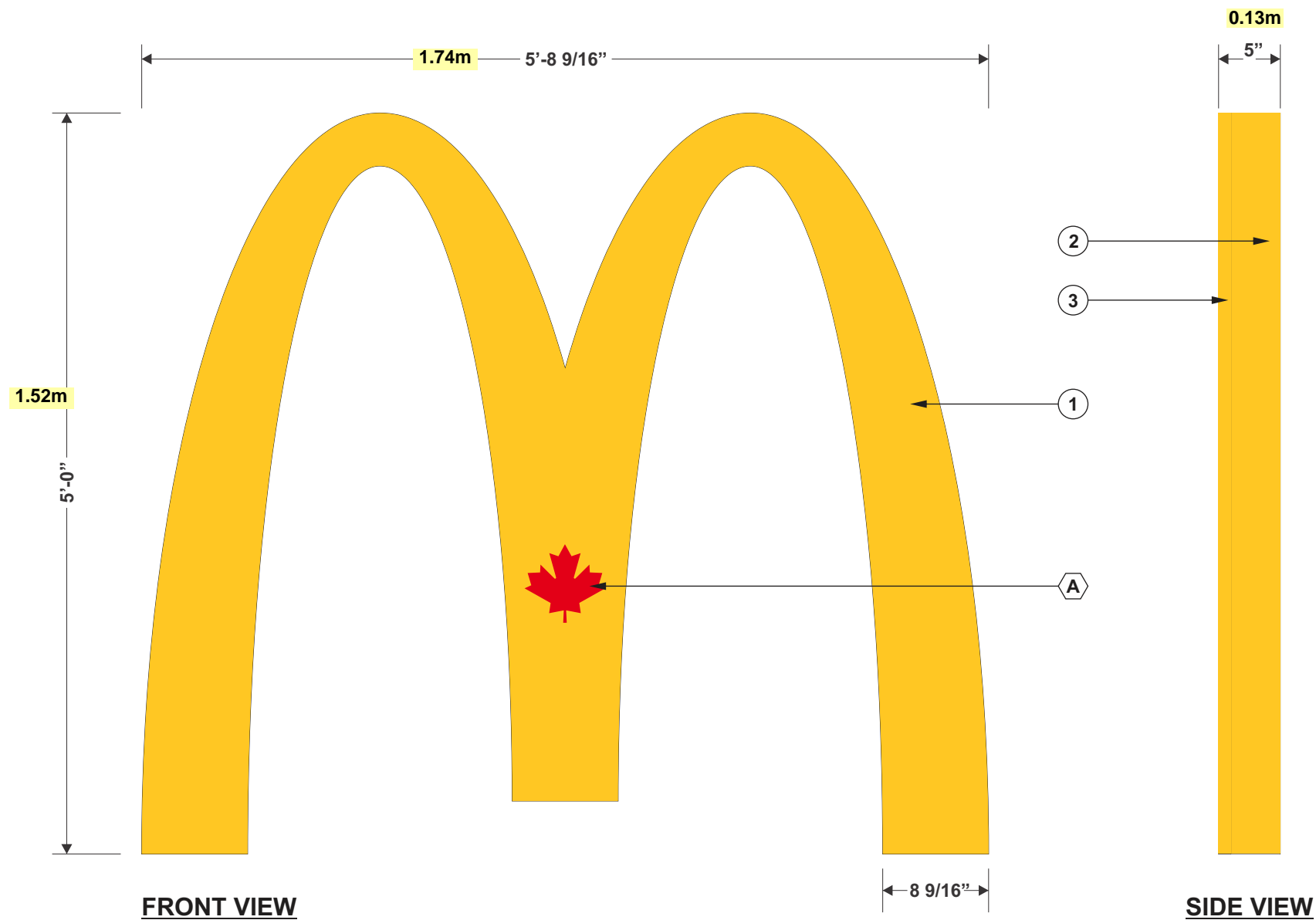
© 2019 ENSEIGNES PATTISON SIGN GROUP. ALL RIGHTS RESERVED. NO PART OF THIS DRAWING MAY BE REPRODUCED IN ANY FORM WITHOUT WRITTEN PERMISSION FROM ENSEIGNES PATTISON SIGN GROUP.



Tel: (506) 735-5506 | Fax: (877) 737-1734 | Toll Free: 1-800-561-9798

Client:	MCDONALD'S		
Site:	VARIOUS		
Draftsman:	LOUISE LANDRY	Date:	11.01.2023
Checked By:	CC		
Page:	2/3	Scale:	1" = 1'-0"

SIGN 2a & 2b - S/F ILLUMINATED CHANNEL LETTERS FASCIA SIGN





MCD1S4D7037
S/F ILLUMINATED ARCH LOGO

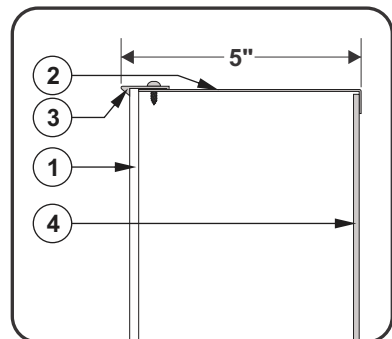
Installation:	<input type="checkbox"/> Interior:	<input checked="" type="checkbox"/> Exterior:	
Electrical specifications:			
Volts:	120	Amp.: 0.7	Circ.: 1
# Descriptions:			
1	0.118" TK. YELLOW SABIC #YW6G039 POLYCARBONATE FACE WITH VINYL APPLIED ON FIRST SURFACE		
2	0.040"TK. ALUMINUM COIL PRE-PAINTED YELLOW SABIC CABINET		
3	1" YELLOW SABIC TRIM CAP RETAINER		
4	3MM WHITE ACM BACKING		

#	Colors:
A	RED VINYL #3630-2609

#	Revision(s)	By:	Date:
1	REVISED TO MATCH STD.	LL	11.06.2023

SIGN AREA: 2.64m²

Customer Approval: _____ Date: ___/___/___	
PRODUCTION INFORMATION : LF 11.21.2023	
FS\MCD1 (Mc Donald)\A2-New IMAGE 2010\Arche Logo Illuminee\MCD1S4D7037 5'-0"	Descriptions: Plate #:
 This sign is intended to be installed in accordance with the requirements of Article 600 of the National Electrical Code and Section 14 of the Canadian Electrical Code and/or other applicable local codes. This includes proper grounding and bonding of the sign.	LEXAN MCD1S4D7025-1
 Pattison Sign Group illuminated signs contain Fluorescent, Neon and/or HID Lamps. These lamps contain Mercury (Hg). Dispose of these lamps according to Local, Provincial, State, or Federal Laws.	TRIM MACHINE MCD1S4D7037ER
IF THIS AGREEMENT INCLUDES THE MANUFACTURING AND INSTALLATION OF A BASE(S) BY PATTISON SIGN GROUP FOR THE SIGNS ORDERED HEREIN, SUCH BASE(S) SHALL BE BUILT AND INSTALLED IN ACCORDANCE WITH APPLICABLE LAWS AND REGULATIONS. IF A BASE(S) IS TO BE BUILT OR PROVIDED BY THE CUSTOMER (OR HIS AGENT), AND NOT BY PATTISON SIGN GROUP, THE CUSTOMER SHALL ENSURE THAT THE BASE(S) ARE BUILT AND INSTALLED IN ACCORDANCE WITH APPLICABLE LAWS AND REGULATIONS AND SHALL HOLD PATTISON SIGN GROUP HARMLESS AND INDEMNIFY IT AGAINST ANY AND ALL CLAIMS, LIABILITIES, ACTIONS, PENALTIES, FINES, AND ANY LEGAL FEES INCURRED BY PATTISON SIGN GROUP ARISING FROM THE FAILURE OF THE CUSTOMER (AND/OR IT'S AGENT) IN DOING SO.	CHANNEL (BENDER) MCD1S4D7037-1ER
	ACM MCD1S4D7037-2
	XX XX
	XX XX
	XX XX



DETAIL VIEW
SCALE: 3" = 1'-0"



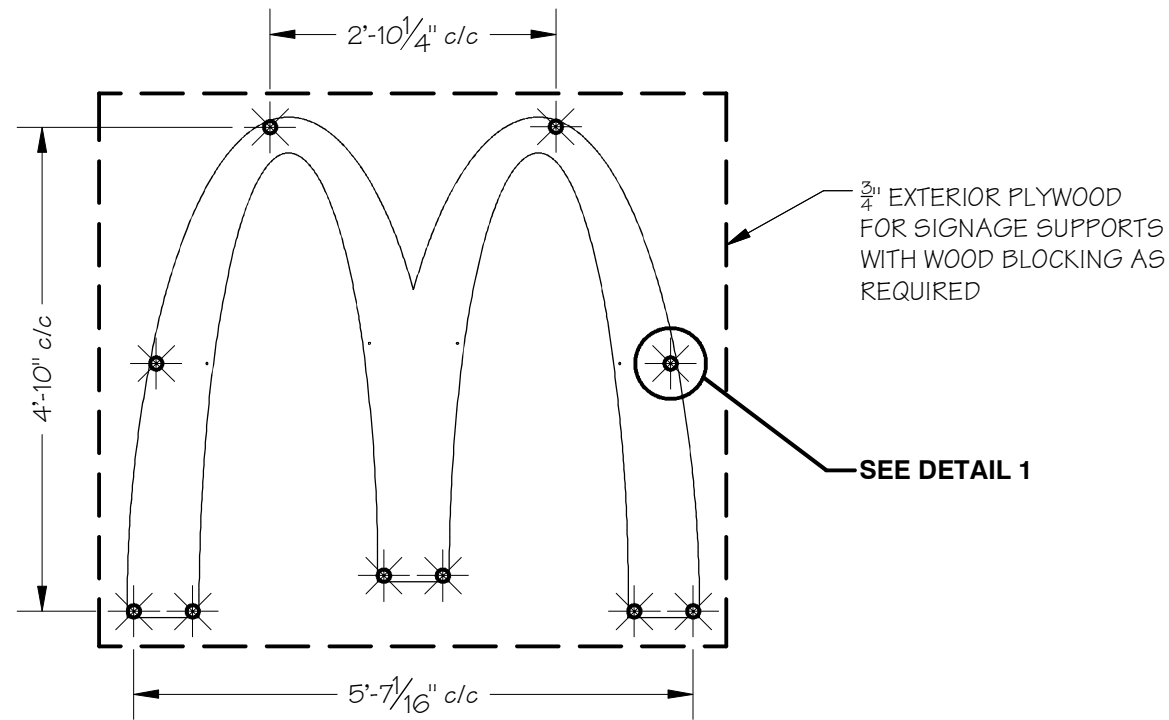
Tel: (506) 735-5506 | Fax: (877) 737-1734 | Toll Free: 1-800-561-9798

Client:	MCDONALD'S		
Site:	VARIOUS		
Draftsman:	LOUISE LANDRY	Date:	11.06.2023
Checked By:	CC		
Page:	1/3	Scale:	1" = 1'-0"

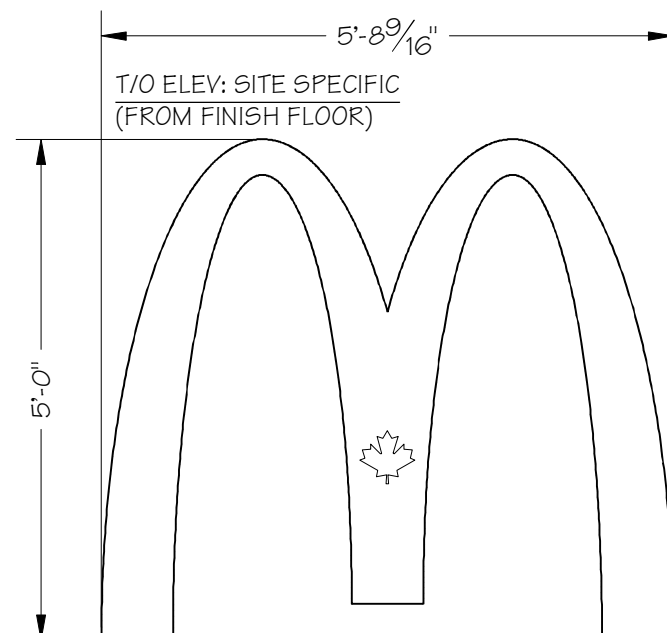
MCD1S4D7025

ATTACHMENT DETAIL
ALPOLIC SIDING

VOLTS	--	AMPS	---	CIRC.:	---
-------	----	------	-----	--------	-----



ATTACHMENT METHOD

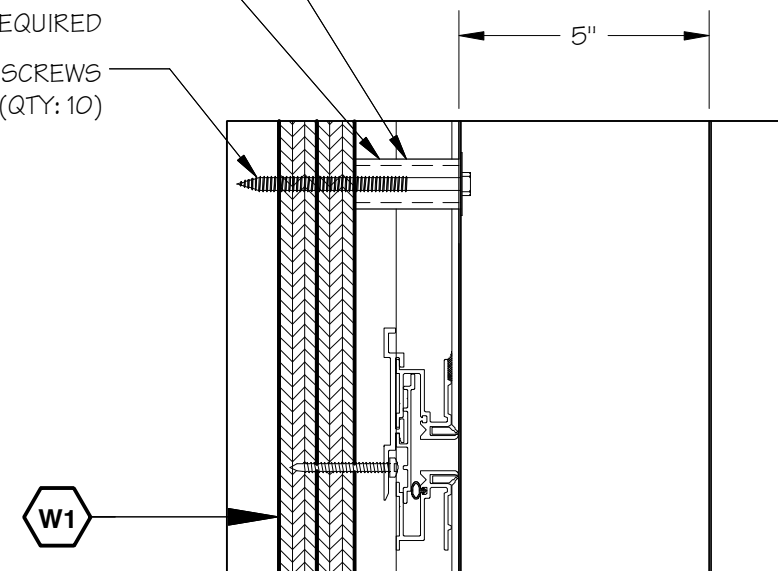


FRONT VIEW

1" O.D. ALUM. PIPE SPACER
LENGTH TO BE DETERMINED
ON-SITE (TYP.)

3/4" EXTERIOR PLYWOOD
FOR SIGNAGE SUPPORTS
WITH WOOD BLOCKING AS
REQUIRED

14 x 4 1/2" lg. WOOD SCREWS
(QTY: 10)



DETAIL 1

SCALE: 3" = 1' - 0"

W1
**VICWEST MERCURY PANEL WALL
BY BASE BUILDING ENGINEER**

- PREFINISHED VICWEST MERCURY PANELS
- BLUESKIN ICE AND WATER SHIELD
- (2) 3/4" EXTERIOR GRADE PLYWOOD
- 2X8 STUD FRAMING @ 16" O/C
C/W R20 BATT INSULATION
- 3/4" EXTERIOR GRADE PLYWOOD
- BLUESKIN ICE AND WATER SHIELD
- 3/4" EXTERIOR GRADE PLYWOOD
- TYPICAL ROOF STRUCTURE AND
MEMBRANE TO OVERLAP

WEIGHT: 35 lbs ±

PAR/BY: _____
DATE: ____/____/____
CONTRAT/CONTRACT: _____

WALL CONSTRUCTION DEPICTED IS AS REPORTED
BY CLIENT. SHOULD FIELD CONDITIONS VARY
FROM WHAT IS SHOWN, INSTALLER SHALL
CONTACT PATTISON SIGN GROUP FOR DIRECTION.



• Tel (506) 735-5506 • Fax (506) 737-1740 • Toll Free 1-800-561-9798

CLIENT:	McDONALD's	
SITE:	VARIOUS	
DRAFTMAN:	M.CARON	DATE:
CHECK BY:	S.LULL	08/01/13
PAGE:	1/1	SCALE/ECH: 1/2" = 1'-0"
PROJECT:	GS-020187-1	

www.pattisonsign.com

This Sign intended to be installed in accordance with the requirements of Article 600 of the National Electrical Code and / or other applicable local codes. This includes proper grounding and bonding of sign

Pattison Sign Group illuminated signs contain Fluorescent, Neon and / or HID Lamps. These lamps contain Mercury (HG). Dispose of these lamps according to Local, Provincial, State, or Federal Laws

If this agreement includes the manufacturing and installation of a base(s) by Pattison Sign Group for the signs ordered herein, such base(s) shall be built and installed in accordance with applicable laws and regulations. If a base(s) is to be built or provided by the Customer (or his agent), and not by Pattison Sign Group, the Customer shall ensure that the base(s) are built and installed in accordance with applicable laws and regulations and shall hold Pattison Sign Group harmless and indemnify it against any and all claims, liabilities, actions, penalties, fines, and any legal fees incurred by Pattison Sign Group arising from the failure of the Customer (and/or its agent) in doing so.

ISO 9001:2008 Certified Enterprise

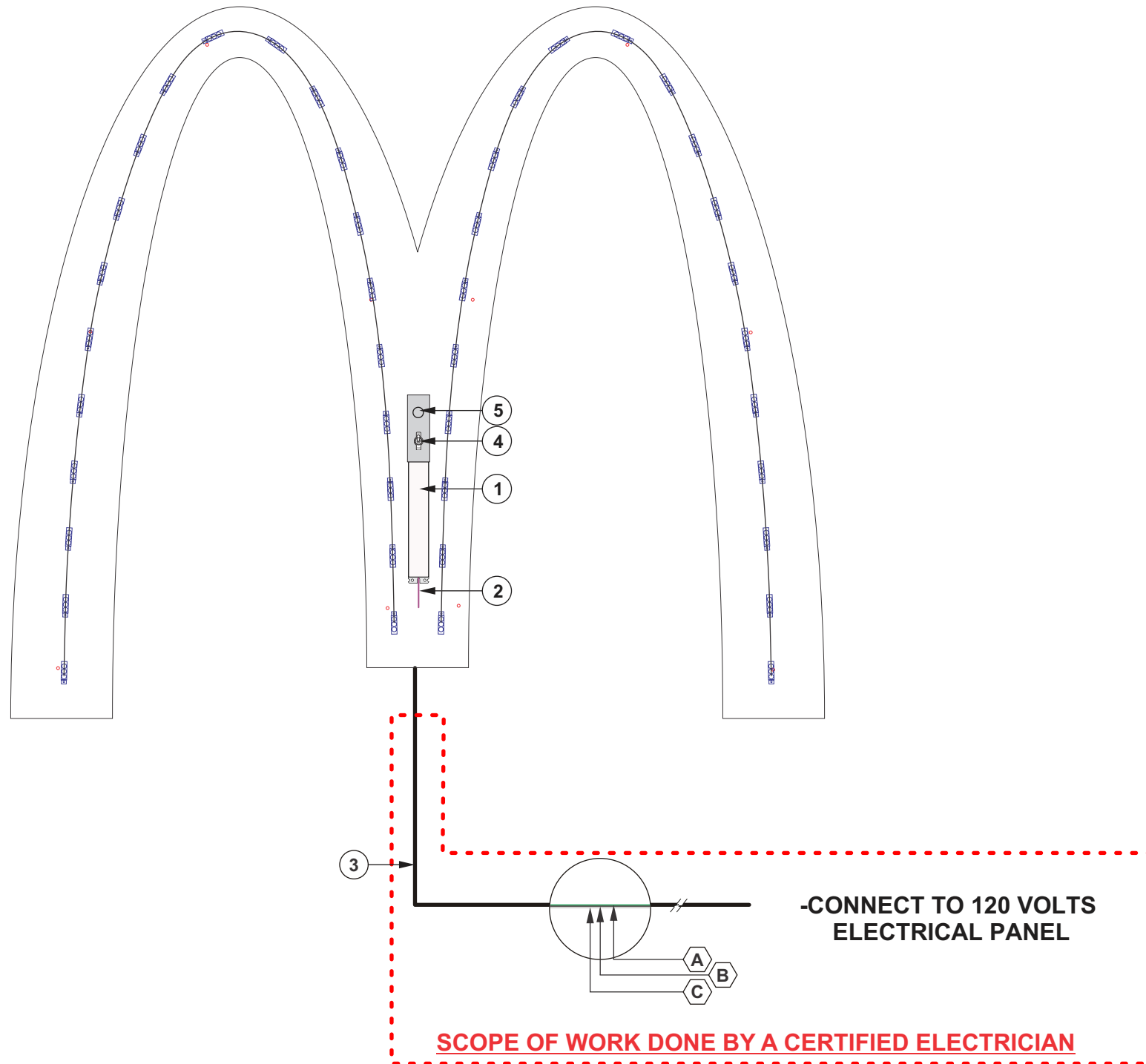
ALL RIGHTS RESERVED, NO PART OF THIS DRAWING MAY BE REPRODUCED IN ANY FORM WITHOUT WRITTEN PERMISSION FROM ENSEIGNES PATTISON SIGN GROUP.

MCD1S4D7037

LED & ELECTRICAL LAYOUT

LED MODULE INFO:		POWER SUPPLY INFO:		MAXIMUM LOAD PER POWER SUPPLY
TYPE:	QTY:	TYPE:	QTY:	
AGILIGHT LS-U670-65K-B250 (LEMO0338)	42	PS12-60WSL-100-277V IP67 (0.7 AMPS) (LEPS0007)	1	44 LED MODULES

Installation:	<input type="checkbox"/> Interior:	<input checked="" type="checkbox"/> Exterior:	
Electrical specifications:			
Volts:	120	Amp.: 0.7	Circ.: 1
# Descriptions:			
1	CLASS 2 POWER SUPPLY		
2	LOW VOLTAGE CLASS 2 POWER WIRES		
3	120 VOLTS PRIMARY IN CONDUIT (BY OTHER)		
4	DISCONNECT TOGGLE SWITCH		
5	INSTALLATION INPUT 120 VOLTS		



#	Notes:
1	CONDUCTOR OPERATING AT DIFFERENT POTENTIALS THEN CLASS 2 IN AN ENCLOSURE SHALL BE SEPARATED OR SEGREGATED FROM THE CLASS 2 CONDUCTORS
2	ELECTRICAL HOOK UP SUPPLIED BY OTHER
3	MAXIMUM DISTANCE BETWEEN LED LETTERS & POWER SUPPLY: 18FT. FOR 18 WIRE GAUGE 29FT. FOR 16 WIRE GAUGE

#	Colors:
A	GREEN ELECTRICAL WIRE
B	BLACK ELECTRICAL WIRE
C	WHITE ELECTRICAL WIRE

⚠ WARNING!

RISK OF ELECTRIC SHOCK: Turn power OFF before inspection, installation or removal.

RISK OF FIRE: Use only approved wire for input/output connections.

This sign is intended to be installed in accordance with the requirements of Article 600 of the National Electrical Code and Section 14 of the Canadian Electrical Code and/or other applicable local codes. This includes proper grounding and bonding of the sign.

Pattison Sign Group illuminated signs contain Fluorescent, Neon and/or HID Lamps. These lamps contain Mercury (Hg). Dispose of these lamps according to Local, Provincial, State, or Federal Laws.

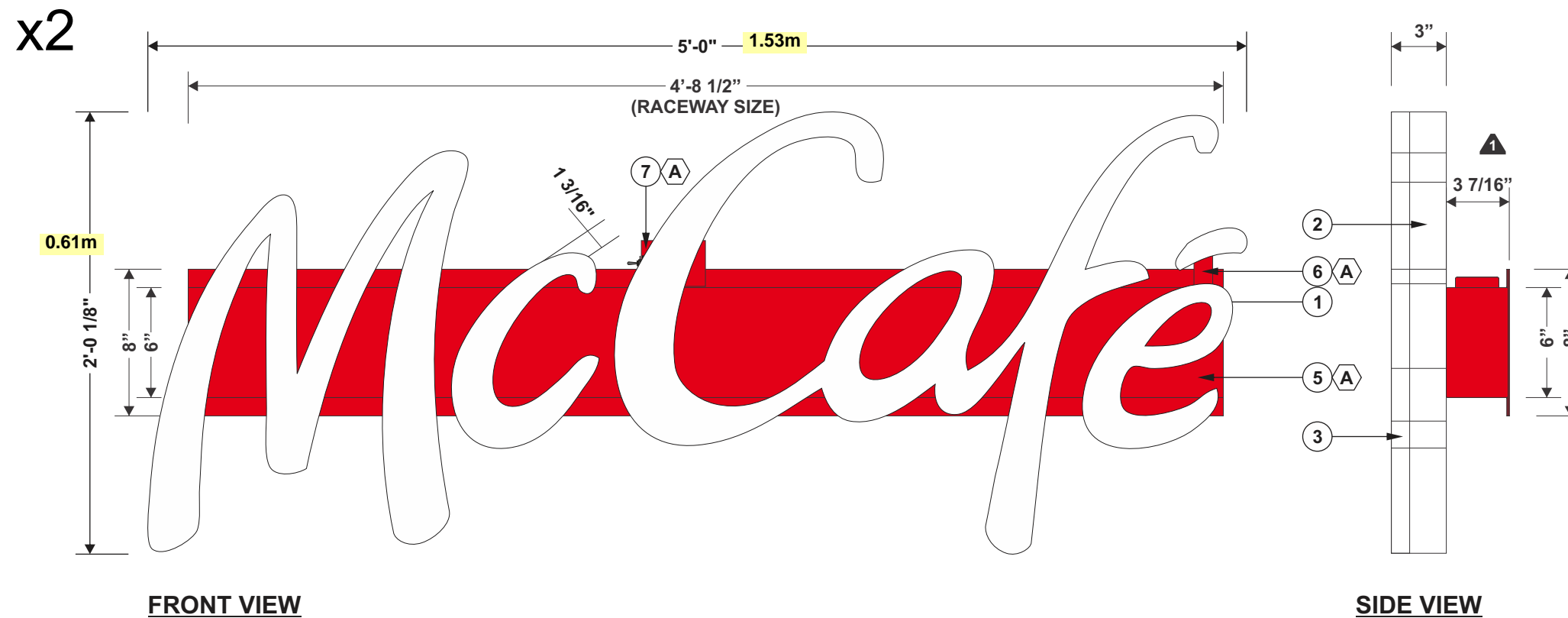
IF THIS AGREEMENT INCLUDES THE MANUFACTURING AND INSTALLATION OF A BASE(S) BY PATTISON SIGN GROUP FOR THE SIGNS ORDERED HEREIN, SUCH BASE(S) SHALL BE BUILT AND INSTALLED IN ACCORDANCE WITH APPLICABLE LAWS AND REGULATIONS. IF A BASE(S) IS TO BE BUILT OR PROVIDED BY THE CUSTOMER (OR HIS AGENT), AND NOT BY PATTISON SIGN GROUP, THE CUSTOMER SHALL ENSURE THAT THE BASE(S) ARE BUILT AND INSTALLED IN ACCORDANCE WITH APPLICABLE LAWS AND REGULATIONS AND SHALL HOLD PATTISON SIGN GROUP HARMLESS AND INDEMNIFY IT AGAINST ANY AND ALL CLAIMS, LIABILITIES, ACTIONS, PENALTIES, FINES, AND ANY LEGAL FEES INCURRED BY PATTISON SIGN GROUP ARISING FROM THE FAILURE OF THE CUSTOMER (AND/OR IT'S AGENT) IN DOING SO.



Tel: (506) 735-5506 | Fax: (877) 737-1734 | Toll Free: 1-800-561-9798

Client:	MCDONALD'S		
Site:	VARIOUS		
Draftsman:	LOUISE LANDRY	Date:	11.06.2023
Checked By:	CC		
Page:	2/3	Scale:	1" = 1'-0"

SIGN 3a & 3b - S/F ILLUMINATED CHANNEL LETTERS FASCIA SIGN



MCDO0CH4P30057
ILLUMINATED CHANNEL LETTERS

Installation: Interior: Exterior:
Electrical specifications:
Volts: 120 Amp.: 0.7 Circ.: 1

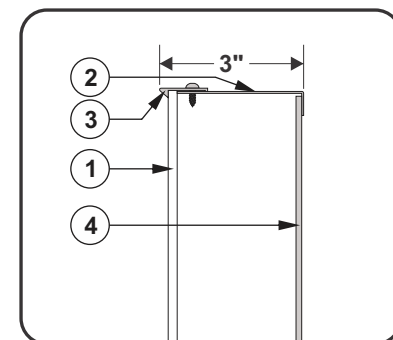
#	Descriptions:
1	3/16" TK. WHITE ACRYLIC #7328 FACE
2	0.040"TK. ALUMINUM COIL PRE-PAINTED WHITE CABINET
3	1" WHITE TRIM CAP RETAINER
4	0.064" TK. WHITE ALUM. BACKING (ALSH0029)
5	FABRICATED ALUMINUM RACEWAY
6	FABRICATED 0.040" TK. ALUMINUM CAPPING
7	JUNCTION BOX

Notes:
1 SEE TECHNICAL DRAWING FOR MORE DETAIL

Colors:
A PAINTED RED PMS 2035C

#	Revision(s)	By:	Date:
1	REMOVED THE PLUG, THE PROTOTYPE IN THE TITLE & REVISED THICKNESS OF RACEWAY	LL	05.16.2023
2	REVISED ACM TO ALUMINUM BACKING AND REMOVE ACM PANEL FOR LED	LL	05.02.2024

SIGN AREA: 0.93m²



DETAIL VIEW
SCALE: 3" = 1'-0"

Customer Approval: _____ Date: ___/___/___

PRODUCTION INFORMATION : LF 05.22.2024

FS/MCDO0 (McDonald's)\Channel\MCDO0CH4P30057 MC Cafe 2'-0 1-8" (Raceway)	Descriptions: Plate #: PLASTIC MCDO0CH4P30057-1 ALUMINUM MCDO0CH4P30057-2 & 3 TRIM MACHINE MCDO0CH4P30057ER CHANNEL (BENDER) MCDO0CH4P30057-2ER
This sign is intended to be installed in accordance with the requirements of Article 600 of the National Electrical Code and Section 14 of the Canadian Electrical Code and/or other applicable local codes. This includes proper grounding and bonding of the sign. Pattison Sign Group illuminated signs contain Fluorescent, Neon and/or HID Lamps. These lamps contain Mercury (Hg). Dispose of these lamps according to Local, Provincial, State, or Federal Laws.	XX XX XX XX XX XX

www.pattisonsign.com

Pattison

Tel: (506) 735-5506 | Fax: (877) 737-1734 | Toll Free: 1-800-561-9798

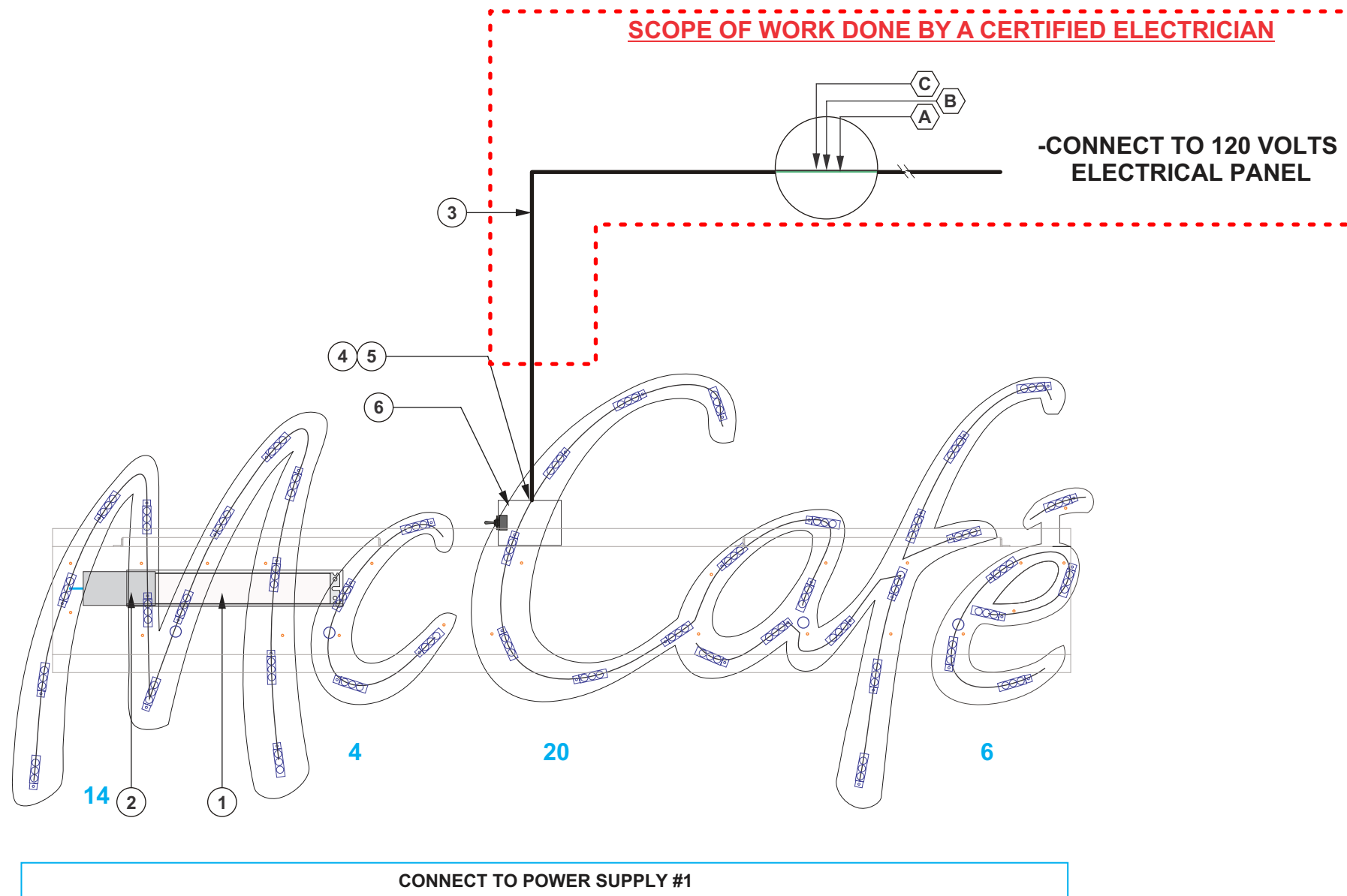
Client:	MCDONALD'S		
Site:	VARIOUS		
Draftsman:	LOUISE LANDRY	Date:	03.02.2023
Checked By:	CC		
Page:	1/3	Scale:	1 1/2" = 1'-0"

MCDO0CH4P30057

LED & ELECTRICAL LAYOUT

LED MODULE INFO:		POWER SUPPLY INFO:		MAXIMUM LOAD PER POWER SUPPLY
TYPE:	QTY:	TYPE:	QTY:	
AGILIGHT LS-U650-65K-B200 (LEMO0330)	44	PS12-60WSL-100-277V IP67 (0.7 AMPS) (LEPS0007)	1	70 LED MODULES

Installation:	<input type="checkbox"/> Interior:	<input checked="" type="checkbox"/> Exterior:			
Electrical specifications:					
Volts:	120	Amp.:	0.7	Circ.:	1
#	Descriptions:				
1	CLASS 2 POWER SUPPLY				
2	LOW VOLTAGE CLASS 2 POWER WIRES				
3	120 VOLTS PRIMARY IN CONDUIT (BY OTHER)				
4	DISCONNECT TOGGLE SWITCH				
5	INSTALLATION INPUT 120 VOLTS				
6	JUNCTION BOX				



#	Notes:
1	CONDUCTOR OPERATING AT DIFFERENT POTENTIALS THEN CLASS 2 IN AN ENCLOSURE SHALL BE SEPARATED OR SEGREGATED FROM THE CLASS 2 CONDUCTORS
2	ELECTRICAL HOOK UP SUPPLIED BY OTHER
3	MAXIMUM DISTANCE BETWEEN LED LETTERS & POWER SUPPLY: 18FT. FOR 18 WIRE GAUGE 29FT. FOR 16 WIRE GAUGE

#	Colors:
A	GREEN ELECTRICAL WIRE
B	BLACK ELECTRICAL WIRE
C	WHITE ELECTRICAL WIRE

⚠ WARNING!

RISK OF ELECTRIC SHOCK: Turn power OFF before inspection, installation or removal.

RISK OF FIRE: Use only approved wire for input/output connections.

This sign is intended to be installed in accordance with the requirements of Article 600 of the National Electrical Code and Section 14 of the Canadian Electrical Code and/or other applicable local codes. This includes proper grounding and bonding of the sign.

Pattison Sign Group illuminated signs contain Fluorescent, Neon and/or HID Lamps. These lamps contain Mercury (Hg). Dispose of these lamps according to Local, Provincial, State, or Federal Laws.

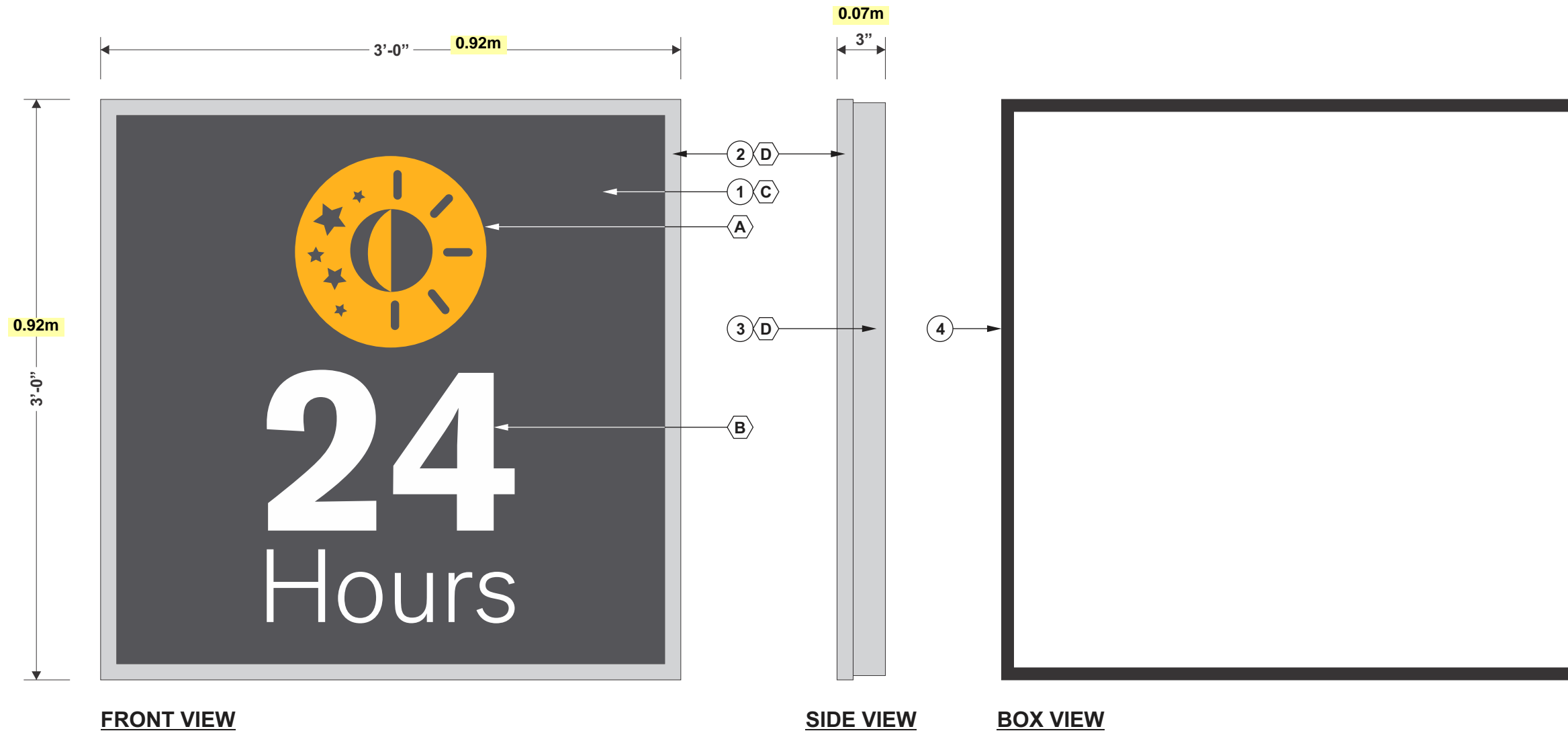
IF THIS AGREEMENT INCLUDES THE MANUFACTURING AND INSTALLATION OF A BASE(S) BY PATTISON SIGN GROUP FOR THE SIGNS ORDERED HEREIN, SUCH BASE(S) SHALL BE BUILT AND INSTALLED IN ACCORDANCE WITH APPLICABLE LAWS AND REGULATIONS. IF A BASE(S) IS TO BE BUILT OR PROVIDED BY THE CUSTOMER (OR HIS AGENT), AND NOT BY PATTISON SIGN GROUP, THE CUSTOMER SHALL ENSURE THAT THE BASE(S) ARE BUILT AND INSTALLED IN ACCORDANCE WITH APPLICABLE LAWS AND REGULATIONS AND SHALL HOLD PATTISON SIGN GROUP HARMLESS AND INDEMNIFY IT AGAINST ANY AND ALL CLAIMS, LIABILITIES, ACTIONS, PENALTIES, FINES, AND ANY LEGAL FEES INCURRED BY PATTISON SIGN GROUP ARISING FROM THE FAILURE OF THE CUSTOMER (AND/OR IT'S AGENT) IN DOING SO.

Pattison

Tel: (506) 735-5506 | Fax: (877) 737-1734 | Toll Free: 1-800-561-9798

Client:	MCDONALD'S		
Site:	VARIOUS		
Draftsman:	LOUISE LANDRY	Date:	03.02.2023
Checked By:	CC		
Page:	2/3	Scale:	1 1/2" = 1'-0"

SIGN 4 - S/F ILLUMINATED SIGNBOX FASCIA SIGN



MCDO0SF4P30055			
S/F ILLUMINATED SIGN			
Installation:	<input type="checkbox"/> Interior:	<input checked="" type="checkbox"/> Exterior:	
Electrical specifications:			
Volts:	120	Amp.:	0.65
		Circ.:	1
# Descriptions:			
1	3/16" TK. CLEAR ACRYLIC FACE WITH VINYL APPLIED ON SECOND SURFACE		
2	ALUMINUM ANGLE RETAINER		
3	ALUMINUM FABRICATED SIGNBOX		
4	WEATHERPROOF FOAM GASKET 1/8" TK. X 3/4" ALL AROUND SIGN BOX THEN INSTALL FACE & RETAINER		

Notes:
 1 SEE TECHNICAL DRAWING MCD1S3D70175 FOR MORE DETAIL

#	Colors:
A	YELLOW VINYL #3730-3762
B	WHITE VINYL #3630-20
C	GREY VINYL #7725-41
D	PAINTED TO MATCH SILVER COIL AT 70% GLOSS

SIGN AREA: 0.84m²

Customer Approval: _____ Date: ___/___/___

PRODUCTION INFORMATION : LF 04.22.2024	
FS\MCD00 (McDonald's)\Sign Box\3'-0" X 3'-0" MCDO0SF4P30055 24 Hours (3'-0" X 3'-0")	Descriptions: Plate #:
	PLASTIC/VINYL MCDO0SF4P30055-1
	ALUMINUM MCDO0SF4P30055-2
XX	XX
XX	XX
XX	XX
XX	XX
XX	XX

Pattison Sign Group

Tel: (506) 735-5506 | Fax: (877) 737-1734 | Toll Free: 1-800-561-9798

Client:	MC DONALD'S
Site:	VARIOUS
Draftsman:	NAZANIN ABEDIN
Date:	02.02.2024
Checked By:	CC
Page:	1/3
Scale:	1 1/2" = 1'-0"

24 HRS 36

ATTACHMENT DETAILS

INSTALLATION:	- INTERIOR	X EXTERIOR
ELECTRICAL SPECIFICATIONS:	WEIGHT: ---	
VOLTS:	---	---
AMP:	---	---
CIRC:	---	---

DESIGN LOADS

BUILDING CODE: NBCC 2015		
REFERENCE LOCATION: VARIOUS LOCATION		
$q_{1/50} = 0.78 \text{ kPa}$	$S_s = 2.90 \text{ kPa}$	$S_r = 0.70 \text{ kPa}$

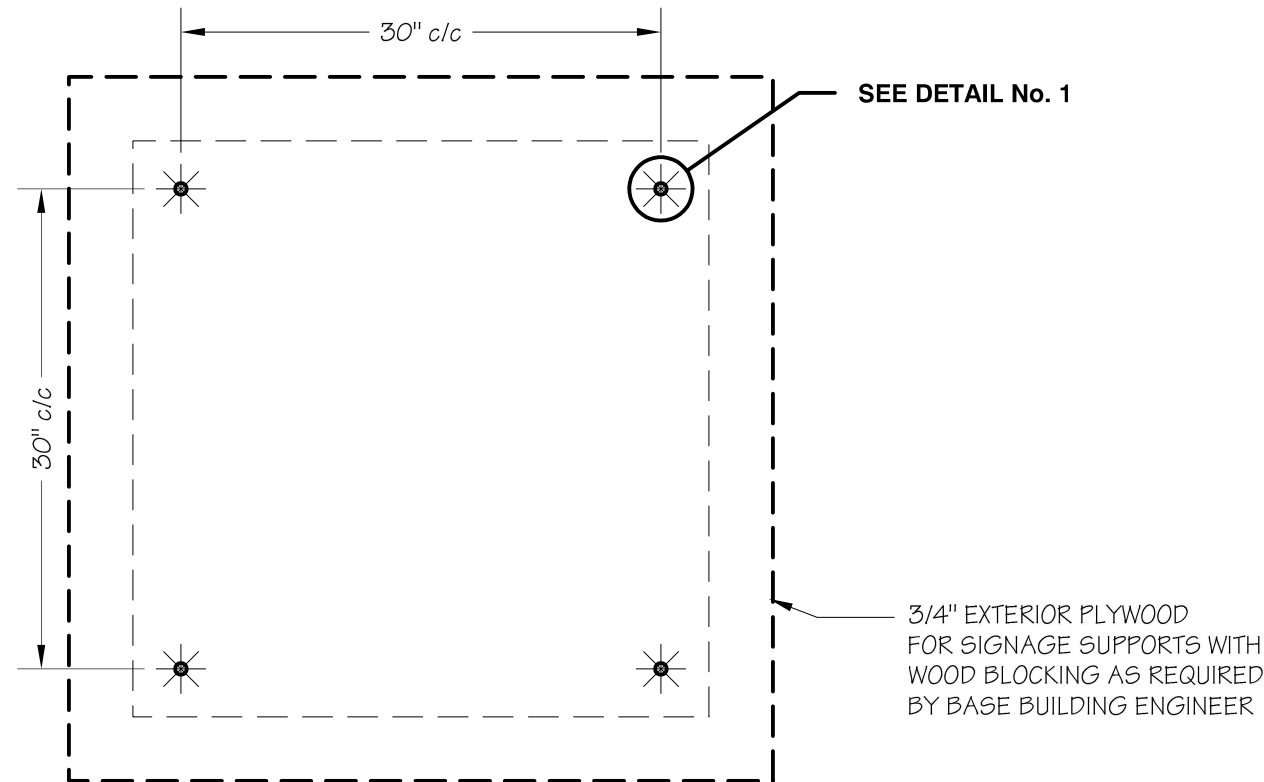
ITEMS TO BE SHIPPED

DESCRIPTION	TOTAL QTY:
#14 x 4" Lg. WOOD SCREWS	4
1 1/4" O.D. x 0.065" Tk. STEEL FENDER WASHERS [PART No. E-HAWA0012]	4

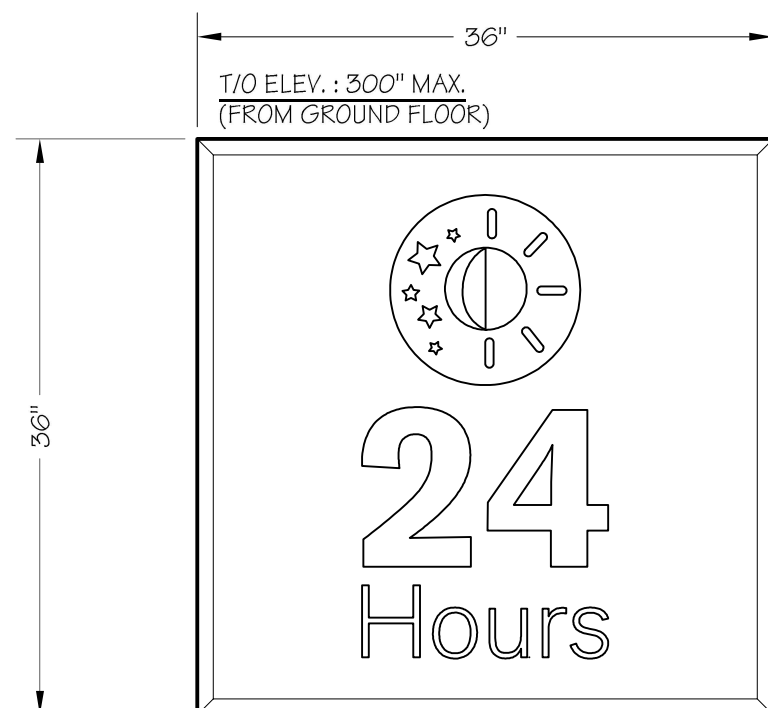
WALL CONSTRUCTION DEPICTED IS AS REPORTED BY CLIENT. SHOULD FIELD CONDITIONS VARY FROM WHAT IS SHOWN, INSTALLER SHALL CONTACT PATTISON SIGN GROUP FOR DIRECTION.

Wall Sign Attachments

Sign attachment design is normally calculated based on detailed wall section drawings. Failure to provide accurate wall section and other building design details may cause additional installation cost. Pattison Sign Group will not take any responsibility for inaccurate information provided.

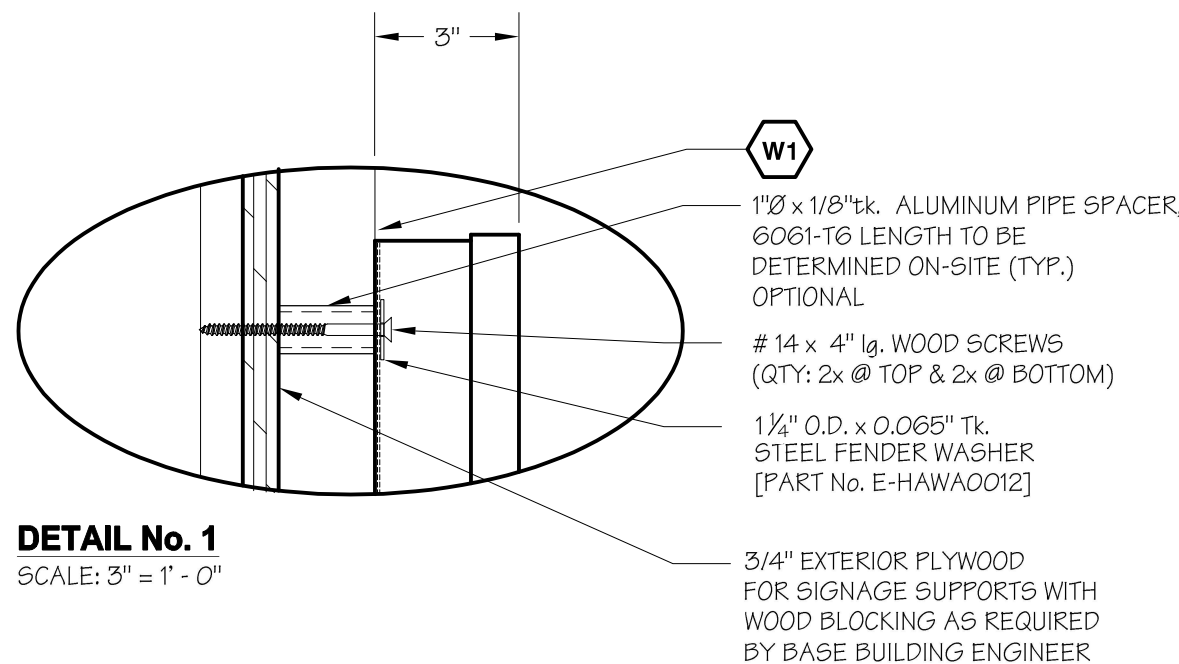


ATTACHMENT DETAIL



FRONT VIEW

WEIGHT: 25 lbs ±



DETAIL No. 1
SCALE: 3" = 1' - 0"

EXISTING WALL BY BASE BUILDING ENGINEER



- 2" VICWEST METAL PANEL SYSTEM
- 3/4" EXTERIOR GRADE PLYWOOD
- EXISTING WALL



- 1"Ø x 1/8"tk. ALUMINUM PIPE SPACER, 6061-T6 LENGTH TO BE DETERMINED ON-SITE (TYP.) OPTIONAL
- # 14 x 4" Lg. WOOD SCREWS (QTY: 2x @ TOP & 2x @ BOTTOM)
- 1/4" O.D. x 0.065" Tk. STEEL FENDER WASHER [PART No. E-HAWA0012]

3/4" EXTERIOR PLYWOOD FOR SIGNAGE SUPPORTS WITH WOOD BLOCKING AS REQUIRED BY BASE BUILDING ENGINEER

NOTE:
- INSTALLER MUST ASSURE THREADS OF SCREWS ARE FULLY ENGAGED THROUGH 3/4" EXTERIOR GRADE PLYWOOD



www.pattisonsign.com / toll free (866) 218-1976
© 2018 PATTISON SIGN GROUP. ALL RIGHTS RESERVED. NO PART OF THIS DRAWING MAY BE REPRODUCED IN ANY FORM WITHOUT WRITTEN PERMISSION FROM PATTISON SIGN GROUP.

WATER INFILTRATION:	
- SEAL ALL TOP HORIZONTAL AND FIRST FEW INCHES OF VERTICAL SECTION OF SIGN (S/F, LETTERS, ETC.) TO PREVENT WATER INFILTRATION.	
- SEAL ALL EXPOSED HARDWARE & HOLES FROM PIPE SPACERS, ETC.	

#	Description of change	By: ??	Date: ##/##/##

	<small>This sign is intended to be installed in accordance with the requirements of National Electrical Code (NEC) or NFPA 70 and of the Canadian Electrical Code (CE Code) or CSA C22.1 and/or other applicable local codes. This includes proper grounding and bonding of the sign.</small>		<small>Pattison Sign Group illuminated signs product may contain Fluorescent, Neon and/or HID Lamps. These lamps contain Mercury (Hg). Disposal of these lamps will be the responsibility of the recipient, according to Local, Provincial, State or Federal Laws.</small>
<small>IF THIS AGREEMENT INCLUDES THE MANUFACTURING AND INSTALLATION OF A BASE(S) BY PATTISON SIGN GROUP FOR THE SIGNS ORDERED HEREIN, SUCH BASE(S) SHALL BE BUILT AND INSTALLED IN ACCORDANCE WITH APPLICABLE LAWS AND REGULATIONS. IF A BASE(S) IS TO BE BUILT OR PROVIDED BY THE CUSTOMER (OR AGENT), AND NOT BY PATTISON SIGN GROUP, THE CUSTOMER SHALL ENSURE THAT THE BASE(S) ARE BUILT AND INSTALLED IN ACCORDANCE WITH APPLICABLE LAWS AND REGULATIONS AND SHALL HOLD PATTISON SIGN GROUP AND ITS EMPLOYEES, REPRESENTATIVES, AGENTS AND OFFICERS, HARMLESS AND INDEMNIFY IT AGAINST ANY AND ALL CLAIMS, LIABILITIES, ACTIONS, PENALTIES, FINES, AND ANY LEGAL FEES INCURRED BY PATTISON SIGN GROUP ARISING FROM THE FAILURE OF THE CUSTOMER (AND/OR ITS AGENT) OBLIGATIONS.</small>			

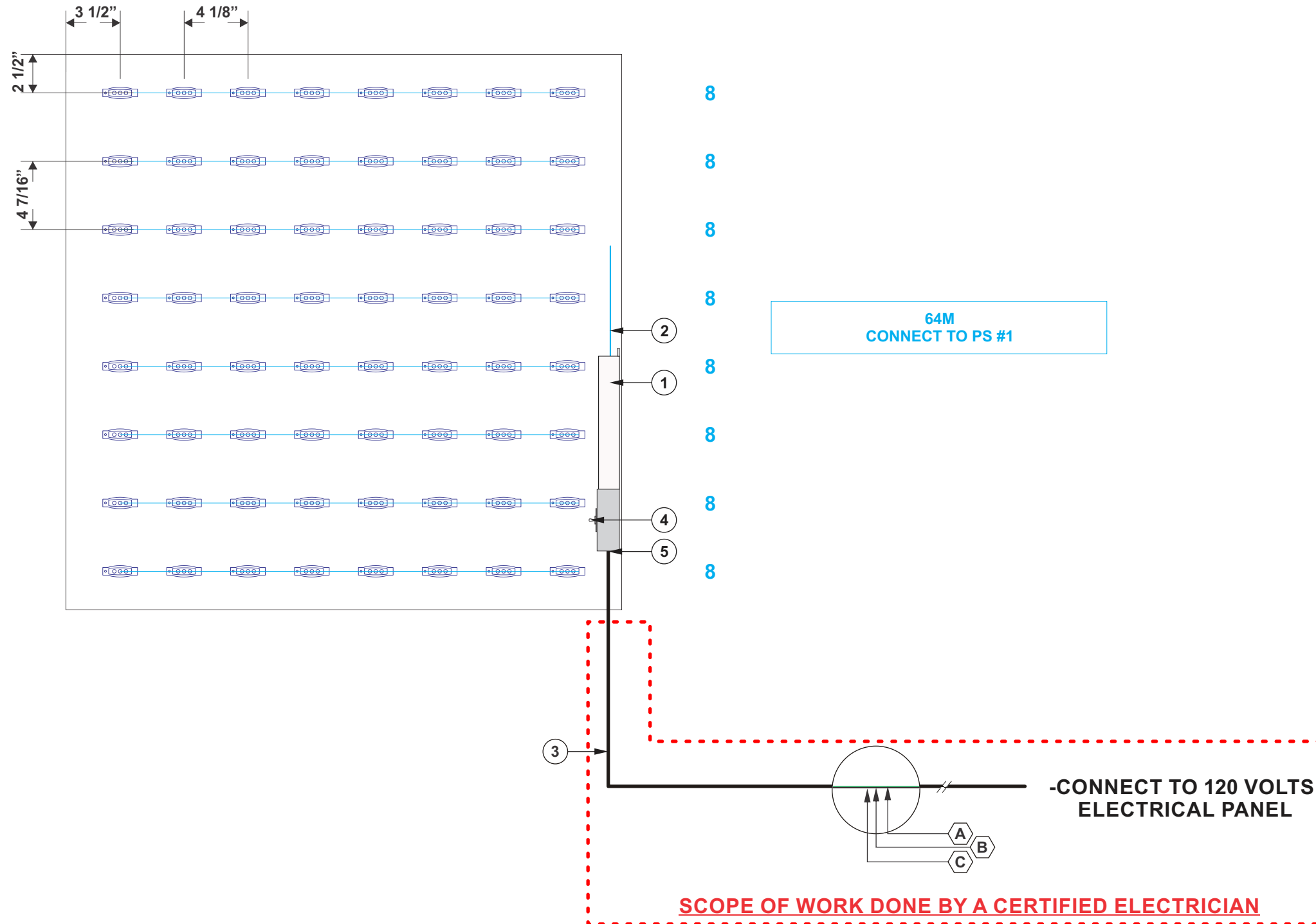
CUSTOMER:	MCDONALD'S	CASE:	---
LOCATION:	VARIOUS CANADA		
DRAWN BY:	L. PELLETIER	DATE:	04/22/20
CHECKED BY:	C. L.	SCALE:	1" = 12"
REFERENCE:	MCDO05F4P30022	PAGE:	1 of 1

MCD00SF4P30055

LED & ELECTRICAL LAYOUT

LED MODULE INFO:		POWER SUPPLY INFO:		MAXIMUM LOAD PER POWER SUPPLY
TYPE:	QTY:	TYPE:	QTY:	
GEMM71-W1 GE (LEMO0058)	64	GEPS12-60U-NA (0.65 AMPS) (LEPS0023)	1	170 LED MODULES

Installation:	<input type="checkbox"/> Interior:	<input checked="" type="checkbox"/> Exterior:			
Electrical specifications:					
Volts:	120	Amp.:	0.65	Circ.:	1
# Descriptions:					
1	CLASS 2 POWER SUPPLY				
2	LOW VOLTAGE CLASS 2 POWER WIRES				
3	120 VOLTS PRIMARY IN CONDUIT (BY OTHER)				
4	WEATHERPROOF TOGGLE SWITCH				
5	INSTALLATION INPUT 120 VOLTS				



#	Notes:
1	CONDUCTOR OPERATING AT DIFFERENT POTENTIALS THEN CLASS 2 IN AN ENCLOSURE SHALL BE SEPARATED OR SEGREGATED FROM THE CLASS 2 CONDUCTORS
2	ELECTRICAL HOOK UP SUPPLIED BY OTHER
3	MAXIMUM DISTANCE BETWEEN LED LETTERS & POWER SUPPLY: 18FT. FOR 18 WIRE GAUGE 29FT. FOR 16 WIRE GAUGE

#	Colors:
A	GREEN ELECTRICAL WIRE
B	BLACK ELECTRICAL WIRE
C	WHITE ELECTRICAL WIRE

This sign is intended to be installed in accordance with the requirements of Article 600 of the National Electrical Code and Section 14 of the Canadian Electrical Code and/or other applicable local codes. This includes proper grounding and bonding of the sign.

Pattison Sign Group illuminated signs contain Fluorescent, Neon and/or HID Lamps. These lamps contain Mercury (Hg). Dispose of these lamps according to Local, Provincial, State, or Federal Laws.

IF THIS AGREEMENT INCLUDES THE MANUFACTURING AND INSTALLATION OF A BASE(S) BY PATTISON SIGN GROUP FOR THE SIGNS ORDERED HEREIN, SUCH BASE(S) SHALL BE BUILT AND INSTALLED IN ACCORDANCE WITH APPLICABLE LAWS AND REGULATIONS. IF A BASE(S) IS TO BE BUILT OR PROVIDED BY THE CUSTOMER (OR HIS AGENT), AND NOT BY PATTISON SIGN GROUP, THE CUSTOMER SHALL ENSURE THAT THE BASE(S) ARE BUILT AND INSTALLED IN ACCORDANCE WITH APPLICABLE LAWS AND REGULATIONS AND SHALL HOLD PATTISON SIGN GROUP HARMLESS AND INDEMNIFY IT AGAINST ANY AND ALL CLAIMS, LIABILITIES, ACTIONS, PENALTIES, FINES, AND ANY LEGAL FEES INCURRED BY PATTISON SIGN GROUP ARISING FROM THE FAILURE OF THE CUSTOMER (AND/OR IT'S AGENT) IN DOING SO.

www.pattisonsign.com

© 2019 ENSEIGNES PATTISON SIGN GROUP. ALL RIGHTS RESERVED. NO PART OF THIS DRAWING MAY BE REPRODUCED IN ANY FORM WITHOUT WRITTEN PERMISSION FROM ENSEIGNES PATTISON SIGN GROUP.

WARNING!

RISK OF ELECTRIC SHOCK:
 Turn power OFF before inspection, installation or removal

RISK OF FIRE:
 Use only approved wire for input/output connections.



Tel: (506) 735-5506 | Fax: (877) 737-1734 | Toll Free: 1-800-561-9798

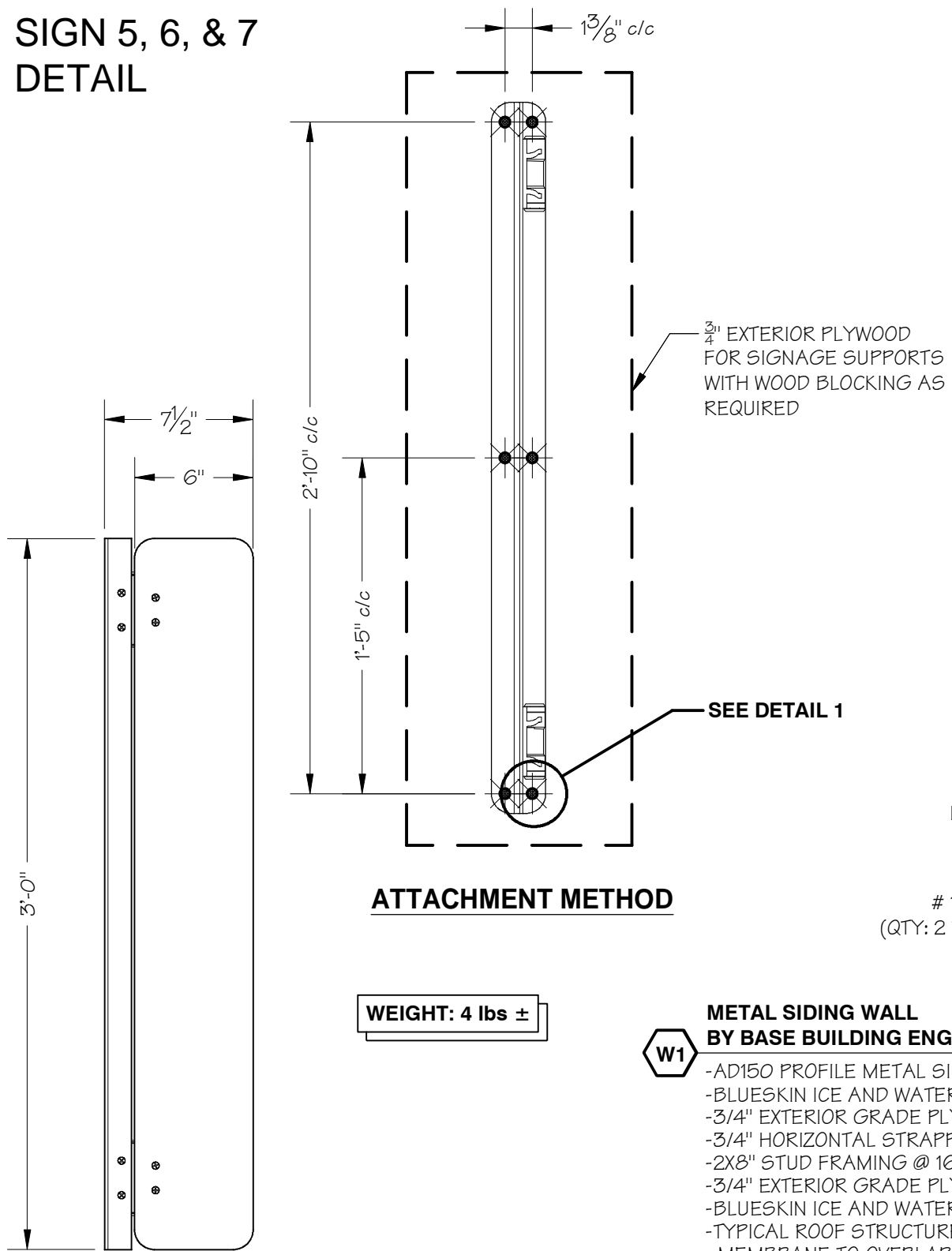
Client:	MCDONALD'S		
Site:	VARIOUS		
Draftsman:	NAZANIN ABEDIN	Date:	02.02.2024
Checked By:	CC		
Page:	2/3	Scale:	1 1/2" = 1'-0"

**SIGN 5, 6, & 7
DETAIL**

MCD1S9KX001

ATTACHMENT DETAIL
METAL SIDING

VOLTS	--	AMPS	---	CIRC.:	---
-------	----	------	-----	--------	-----



ATTACHMENT METHOD

WEIGHT: 4 lbs ±

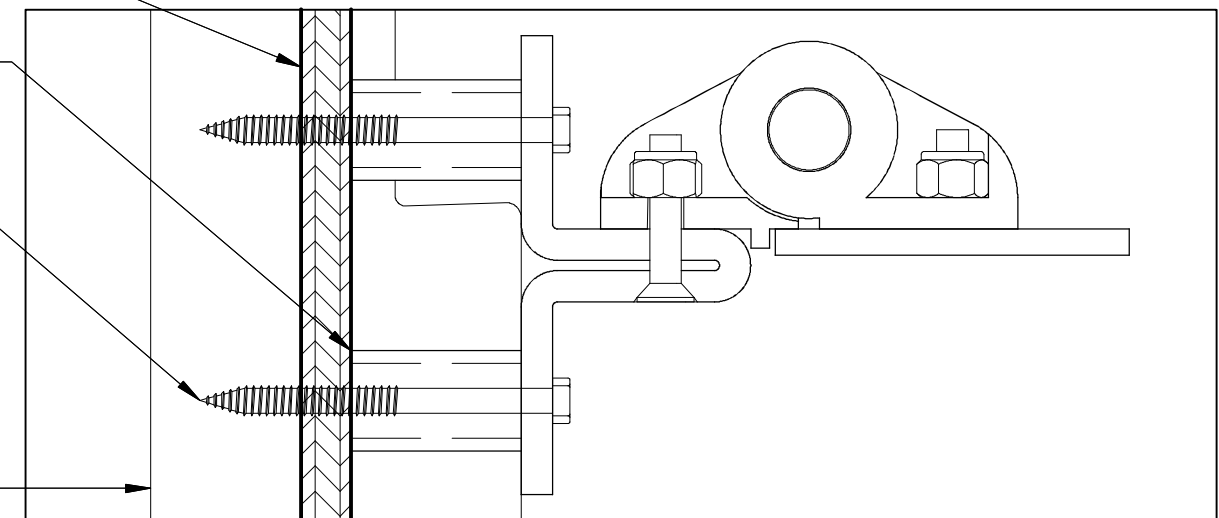
**METAL SIDING WALL
BY BASE BUILDING ENGINEER**

- AD150 PROFILE METAL SIDING
- BLUESKIN ICE AND WATER SHIELD
- 3/4" EXTERIOR GRADE PLYWOOD
- 3/4" HORIZONTAL STRAPPING @ 24" O/C
- 2X8" STUD FRAMING @ 16" O/C
- 3/4" EXTERIOR GRADE PLYWOOD
- BLUESKIN ICE AND WATER SHIELD
- TYPICAL ROOF STRUCTURE AND MEMBRANE TO OVERLAP
- METAL FLASHING TO MATCH <PT-2>

3/4" EXTERIOR PLYWOOD FOR SIGNAGE SUPPORTS WITH WOOD BLOCKING AS REQUIRED

1" O.D. ALUM. PIPE SPACER LENGTH TO BE DETERMINED ON-SITE (TYP.)

14 x 3 1/2" lg. WOOD SCREWS (QTY: 2 TOP, 2 BOTTOM & 2 MIDDLE)



DETAIL 1 (TOP VIEW)
SCALE: 6" = 1' - 0"

PAR/BY: _____
DATE: _____
CONTRAT/CONTRACT: _____

WALL CONSTRUCTION DEPICTED IS AS REPORTED BY CLIENT. SHOULD FIELD CONDITIONS VARY FROM WHAT IS SHOWN, INSTALLER SHALL CONTACT PATTISON SIGN GROUP FOR DIRECTION.



• Tel (506) 735-5506 • Fax (506) 737-1740 • Toll Free 1-800-561-9798

CLIENT:	McDONALD's	
SITE:	VARIOUS	
DRAFTMAN:	M.CARON	DATE:
CHECK BY:	S.LULL	08/06/13
PAGE:	1/1	SCALE/ECH: 1 1/2" = 1'-0"
PROJECT:	GS-020187-1	

This Sign intended to be installed in accordance with the requirements of Article 600 of the National Electrical Code and / or other applicable local codes. This includes proper grounding and bonding of sign

Pattison Sign Group illuminated signs contain Fluorescent, Neon and / or HID Lamps. These lamps contain Mercury (HG). Dispose of these lamps according to Local, Provincial, State, or Federal Laws

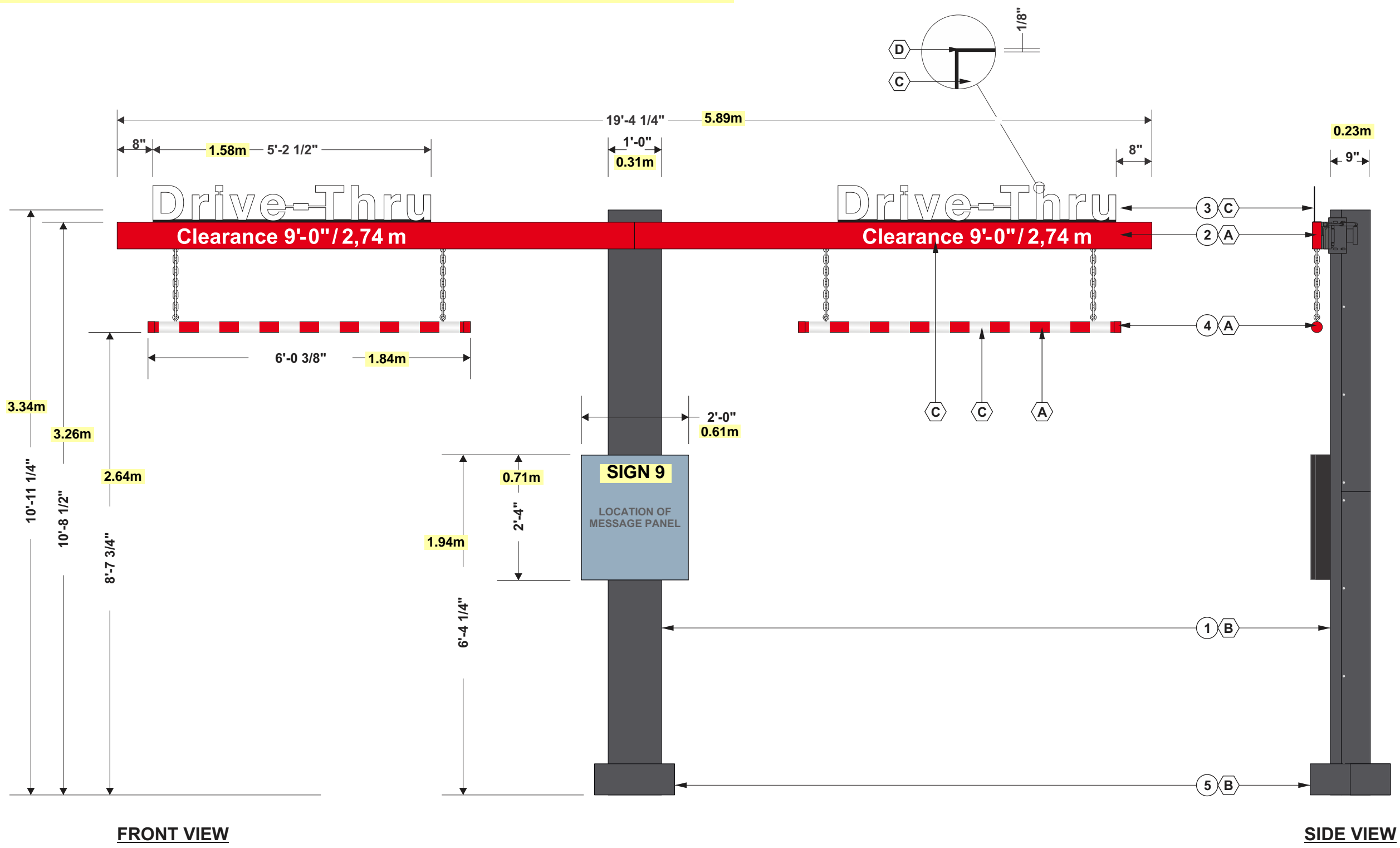
If this agreement includes the manufacturing and installation of a base(s) by Pattison Sign Group for the signs ordered herein, such base(s) shall be built and installed in accordance with applicable laws and regulations. If a base(s) is to be built or provided by the Customer (or his agent), and not by Pattison Sign Group, the Customer shall ensure that the base(s) are built and installed in accordance with applicable laws and regulations and shall hold Pattison Sign Group harmless and indemnify it against any and all claims, liabilities, actions, penalties, fines, and any legal fees incurred by Pattison Sign Group arising from the failure of the Customer (and/or its agent) in doing so.

ISO 9001:2008 Certified Enterprise

www.pattisonsign.com

ALL RIGHTS RESERVED, NO PART OF THIS DRAWING MAY BE REPRODUCED IN ANY FORM WITHOUT WRITTEN PERMISSION FROM ENSEIGNES PATTISON SIGN GROUP.

SIGN 8 - NON-ILLUMINATED VHD FREESTANDING SIGN ON BOTH SIDES



MCDO0CS3XX0011
VHD/2-LANE/ENGLISH - HINGES ON BOTH SIDES

Installation: Interior: Exterior:
 Electrical specifications:
 Volts: N/A Amp.: N/A Circ.: N/A

#	Descriptions:
1	FABRICATED ALUMINUM DECOR
2	ALUMINUM TUBING WITH VINYL APPLIED ON FIRST SURFACE
3	0.125" TK. CUT OUT ALUMINUM LETTERS (WITH VINYL OUTLINE), BENT FOR MOUNTING TO ALUMINUM TUBING
4	2 3/8" Ø ALUMINUM PIPE WITH VINYL APPLICATION ON FIRST SURFACE AND 2 1/2" Ø END CAPS AND CHAINS
5	FABRICATED ALUMINUM BASE COVER

Notes:
 1 SIGN MOUNTED TO 6" CURB (BY OTHER)
 2 SEE TECHNICAL DRAWING MCD00CS4XX0002S FOR MORE DETAIL

#	Colors:
A	PAINTED TO MATCH RED VINYL #3630-2609
B	PAINTED TO MATCH COOL GREY PMS 11C
C	WHITE OPAQUE VINYL 7725-20
D	PAINTED BLACK

Revision(s) By: Date:
 1 REVISED TO MATCH STD. LL 11.15.2023

SIGN AREA: 4.67m²

Customer Approval: _____ Date: ____/____/____

PRODUCTION INFORMATION : LF 04.02.2024	
FSMCD00 (McDonald's)\Drive-Thru Signage\Clearance Sign\MCD00CS3XX0011 (2 Lanes Drive Thru) 19'-4 1/4"	Descriptions: Plate #:
	ALUMINUM MCD00CS3XX0012-1
	ALUMINUM MCD1Q9XX013
	ALUMINUM MCD1L9AX006-1
	ALUMINUM MCD1V8XX031-2
XX	XX
XX	XX
XX	XX

www.pattisonsign.com



Tel: (506) 735-5506 | Fax: (877) 737-1734 | Toll Free: 1-800-561-9798

Client:	MCDONALD'S
Site:	VARIOUS
Draftsman:	ANNIE CARRIER
Date:	06.22.2017
Checked By:	JJ
Page:	1/1
Scale:	1/2" = 1'-0"

ISO 9001:2008 Certified Enterprise

GENERAL NOTES:

- MINIMUM CONCRETE RESISTANCE OF 3600 PSI AFTER 28 DAYS
- THE GROUND MUST NOT BE ALTERED AND MUST BE WELL DRAINED
- FOUNDATION IS BASED ON A SAFE LATERAL SOIL BEARING PRESSURE MINIMUM OF 150 PSF PER FOOT OF DEPTH. SOIL REPORT WAS NOT FURNISHED. ALLOWABLE BEARING PRESSURE SHOULD BE VERIFIED PRIOR TO PLACEMENT OF CONCRETE. DO NOT PLACE FOUNDATION IN FILL.
- ALL BACKFILL TO BE PLACED IN COMPACTED LAYERS COMPACTED TO 95% MODIFIED PROCTOR DENSITY
- DESIGN BASED IN ACCORDANCE WITH THE NBCC 2005, $q(\frac{1}{50}) = 0.69 \text{ kPa}$
- ELECTRICAL CONDUIT TO BE AS PER CITY CODE
- ALL VOIDS BETWEEN COLUMN BASE PLATE AND FOUNDATION SURFACE SHALL BE COMPLETELY FILLED WITH HIGH STRENGTH, NON-SHRINK GROUT

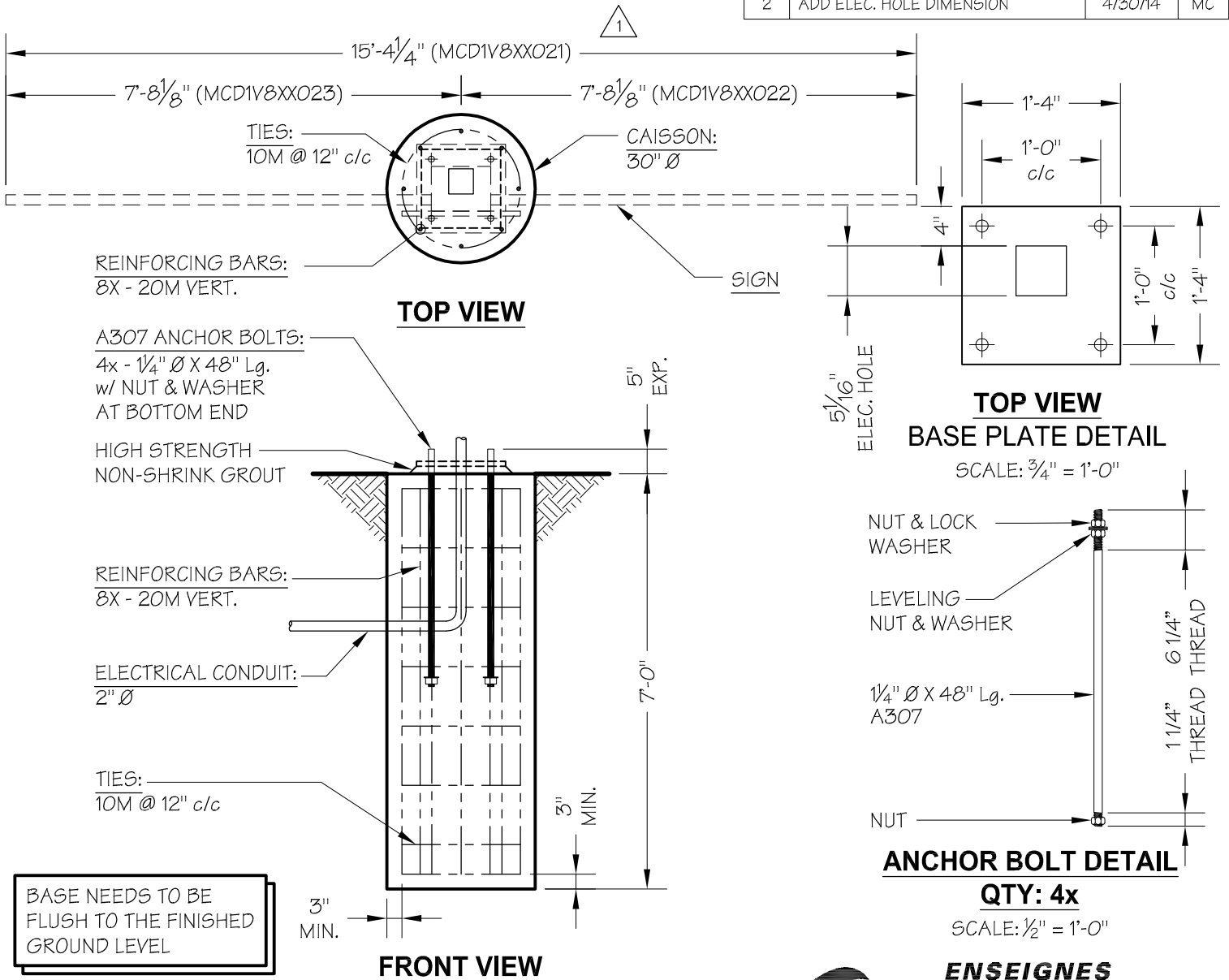
JRD-20018-2

CONCRETE BASE PLAN FOR
McDONALD VHD 10'-11 $\frac{1}{4}$ " OVH

VOLTS	N/A	AMPS	N/A	CIRC.:	N/A
POST:	HSS 5" x 5" x 1/4" TK. A500				
PLATE:	16" x 16" x 1" TK.				
VOLUME:	1.27 CU. YD.				

REVISIONS

REV.	DESCRIPTION	DATE	APPR.
1	ADDED TOP VIEW DIMENSIONS	07/31/12	EBE
2	ADD ELEC. HOLE DIMENSION	4/30/14	MC



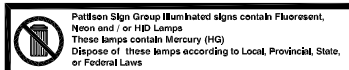
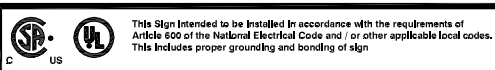
BY: _____

DATE: ____/____/____

CONTRACT: _____

ISSUED FOR PERMIT

If this agreement includes the manufacturing and installation of a base(s) by Pattison Sign Group for the signs ordered herein, such base(s) shall be built and installed in accordance with applicable laws and regulations. If a base(s) is to be built or provided by the Customer (or its agent), and not by Pattison Sign Group, the Customer shall ensure that the base(s) are built and installed in accordance with applicable laws and regulations and shall hold Pattison Sign Group harmless and indemnify it against any and all claims, liabilities, actions, penalties, fines, and any legal fees incurred by Pattison Sign Group arising from the failure of the Customer (and/or its agent) in doing so.



ISO 9001:2008 Certified Enterprise

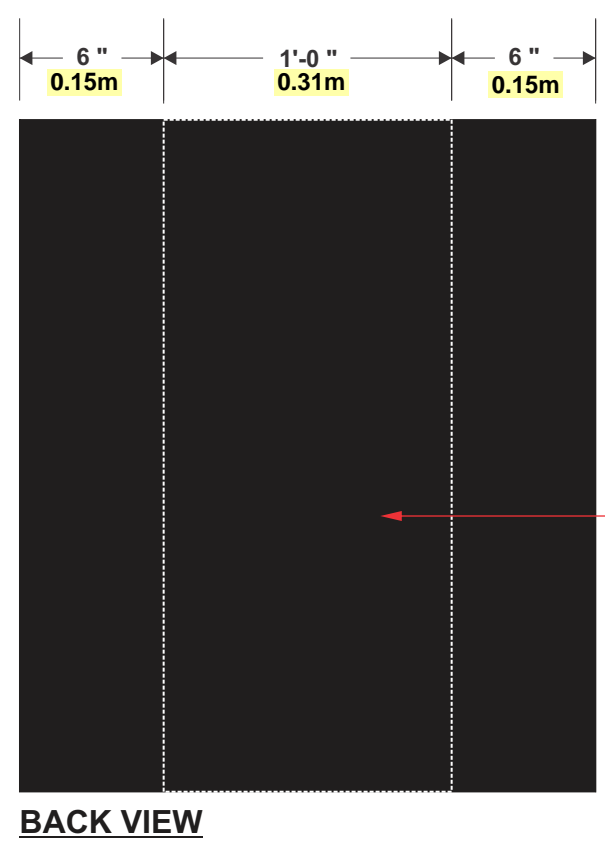
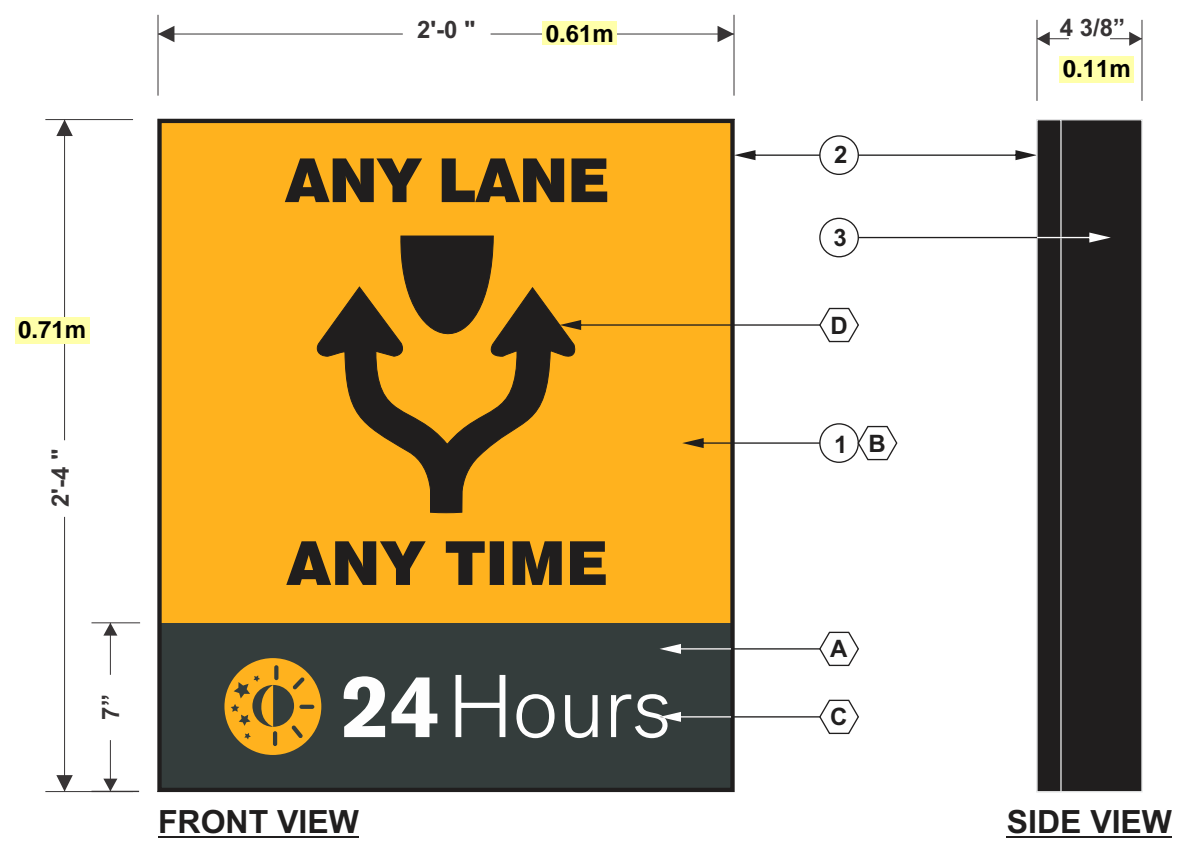
www.pattisonsign.com

ENSEIGNES PATTISON SIGN GROUP
 • Tel (506) 735-5506 • Fax (506) 737-1740 • Toll Free 1-800-561-9798

CLIENT:	McDONALD'S		
SITE:	VARIOUS CANADA (0.69 kPa)		
DRAFTMAN:	S. LULL	DATE:	
CHECK BY:	M-A VOISINE	10/31/11	
PAGE:	1/1	SCALE:	3/8" = 1'-0"
REFERENCE:	MCD1V8XX021, X022 & X023		

SIGN 9 - S/F ILLUMINATED MESSAGE PANEL MOUNTED ON VHD

MCDO0SF4P30053			
S/F ILLUMINATED SIGN			
Installation:	<input type="checkbox"/> Interior:	<input checked="" type="checkbox"/> Exterior:	
Electrical specifications:			
Volts:	120	Amp.:	1.1
		Circ.:	1
# Descriptions:			
1	1/8" TK. CLEAR ACRYLIC WITH VINYL APPLIED ON SECOND SURFACE		
2	1" BLACK TRIM CAP		
3	FABRICATED SIGN BOX WITH 0.051" TK. ALUMINUM PRE-PAINTED BLACK/WHITE		



# Notes:	
1	2 WATER HOLES TO BE DRILLED ON BOTTOM OF SIGN
2	BACK OF SIGN IS VISIBLE AND NEEDS TO BE CLEAN FINISH

#	Colors:
A	GREY VINYL #7725-41
B	YELLOW VINYL #3730-3762
C	WHITE DIFFUSER VINYL #3630-20
D	BLACK VINYL #7725-12

#	Revision(s)	By:	Date:
1	REVISED YELLOW VINYL	LL	04.17.2024
2	REVISED LEDS (SWITCH TO 24V)	CC	08.29.2024

SIGN AREA: 0.43m²

Customer Approval: _____ Date: ___/___/___

PRODUCTION INFORMATION : LF 05.09.2024											
FS\MCDO0 (McDonald's)\Sign Box\2'-4" X 2'-0" MCDO0SF4P30053 24 Hours	Descriptions: Plate #: ALUMINUM MCD1S4D7018										
This sign is intended to be installed in accordance with the requirements of Article 600 of the National Electrical Code and Section 14 of the Canadian Electrical Code and/or other applicable local codes. This includes proper grounding and bonding of the sign.	Pattison Sign Group illuminated signs contain Fluorescent, Neon and/or HID Lamps. These lamps contain Mercury (Hg). Dispose of these lamps according to Local, Provincial, State, or Federal Laws.										
IF THIS AGREEMENT INCLUDES THE MANUFACTURING AND INSTALLATION OF A BASE(S) BY PATTISON SIGN GROUP FOR THE SIGNS ORDERED HEREIN, SUCH BASE(S) SHALL BE BUILT AND INSTALLED IN ACCORDANCE WITH APPLICABLE LAWS AND REGULATIONS. IF A BASE(S) IS TO BE BUILT OR PROVIDED BY THE CUSTOMER (OR HIS AGENT), AND NOT BY PATTISON SIGN GROUP, THE CUSTOMER SHALL ENSURE THAT THE BASE(S) ARE BUILT AND INSTALLED IN ACCORDANCE WITH APPLICABLE LAWS AND REGULATIONS AND SHALL HOLD PATTISON SIGN GROUP HARMLESS AND INDEMNIFY IT AGAINST ANY AND ALL CLAIMS, LIABILITIES, ACTIONS, PENALTIES, FINES, AND ANY LEGAL FEES INCURRED BY PATTISON SIGN GROUP ARISING FROM THE FAILURE OF THE CUSTOMER (AND/OR IT'S AGENT) IN DOING SO.	<table border="1"> <tr><td>XX</td><td>XX</td></tr> <tr><td>XX</td><td>XX</td></tr> <tr><td>XX</td><td>XX</td></tr> <tr><td>XX</td><td>XX</td></tr> <tr><td>XX</td><td>XX</td></tr> </table>	XX	XX	XX	XX	XX	XX	XX	XX	XX	XX
XX	XX										
XX	XX										
XX	XX										
XX	XX										
XX	XX										

Pattison Sign Group

Tel: (506) 735-5506 | Fax: (877) 737-1734 | Toll Free: 1-800-561-9798

Client:	MCDONALD'S		
Site:	VARIOUS		
Draftsman:	NAZANIN ABEDIN	Date:	02.05.2024
Checked By:	CC		
Page:	1/2	Scale:	1 1/2" = 1'-0"

CC1-61922-2

ATTACHMENT DETAILS

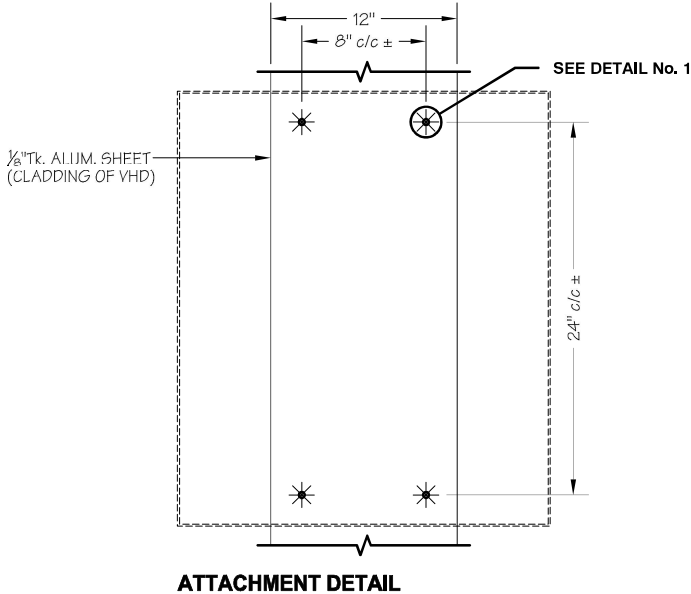
INSTALLATION:	- INTERIOR	X EXTERIOR
ELECTRICAL SPECIFICATIONS:	WEIGHT: ---	
VOLTS:	---	AMP: ---
		CIRC: ---

DESIGN LOADS

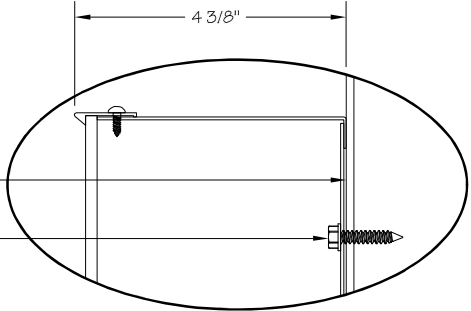
BUILDING CODE: ONTARIO OBC 2012		
REFERENCE LOCATION: HAMILTON (BELOW ESCARPMENT - WEST OF HIGHWAY 403)		
q 1/50 = 0.46 kPa	S _w = 1.10 kPa	S _r = 0.40 kPa

ITEMS TO BE SHIPPED

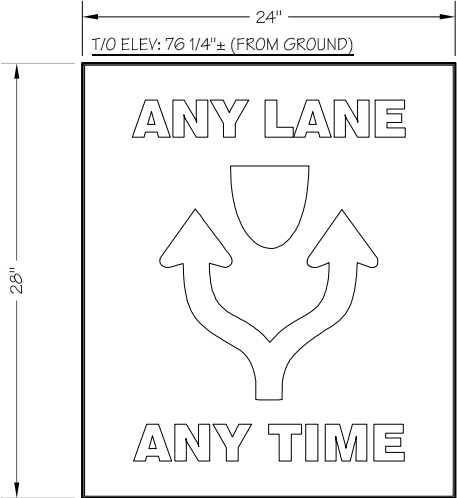
DESCRIPTION	TOTAL QTY:
---	---
---	---



1/8"TK. ALUM. SHEET (CLADDING OF VHD)
 #12-14 X 1" SELF-TAPPING SCREWS (QTY: 2x @ TOP & 2x @ BOTTOM)



DETAIL NO. 1
SCALE: N/A



FRONT VIEW

WEIGHT: 12 lbs ±

#	Revision(s)	By:	Date:
---	---	---	---

THIS SIGN IS WARRANTED TO BE FREE FROM DEFECTS IN MATERIAL AND WORKMANSHIP AT THE TIME OF INSTALLATION. THE WARRANTY DOES NOT COVER DAMAGE TO THE SIGN OR TO THE SURFACE TO WHICH IT IS ATTACHED CAUSED BY IMPROPER INSTALLATION, IMPROPER MAINTENANCE, OR FORCE MAJEURE. THE WARRANTY DOES NOT COVER DAMAGE TO THE SIGN OR TO THE SURFACE TO WHICH IT IS ATTACHED CAUSED BY IMPROPER INSTALLATION, IMPROPER MAINTENANCE, OR FORCE MAJEURE. THE WARRANTY DOES NOT COVER DAMAGE TO THE SIGN OR TO THE SURFACE TO WHICH IT IS ATTACHED CAUSED BY IMPROPER INSTALLATION, IMPROPER MAINTENANCE, OR FORCE MAJEURE.



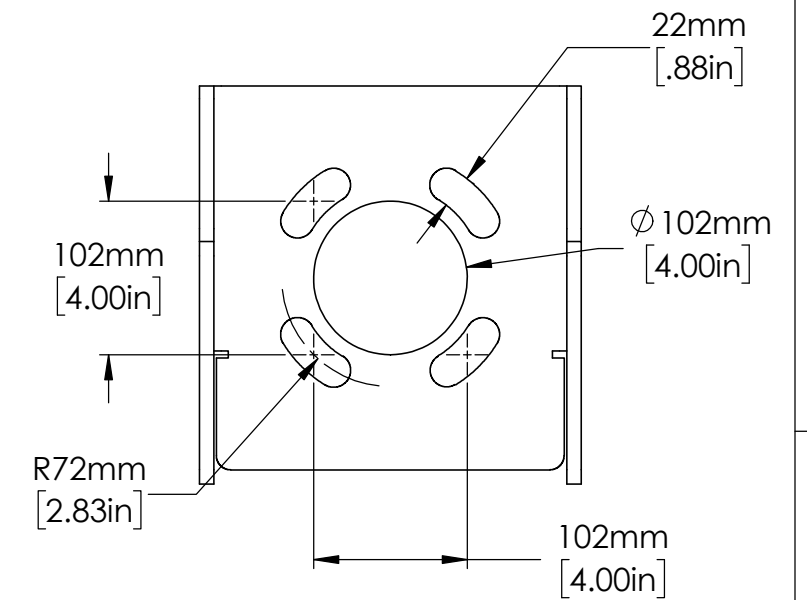
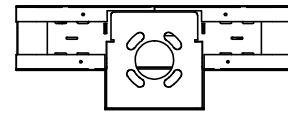
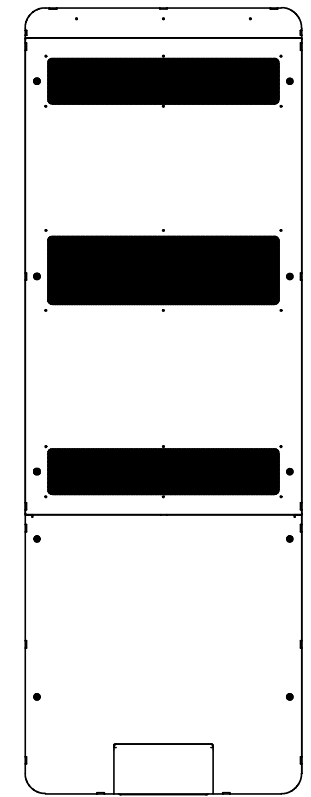
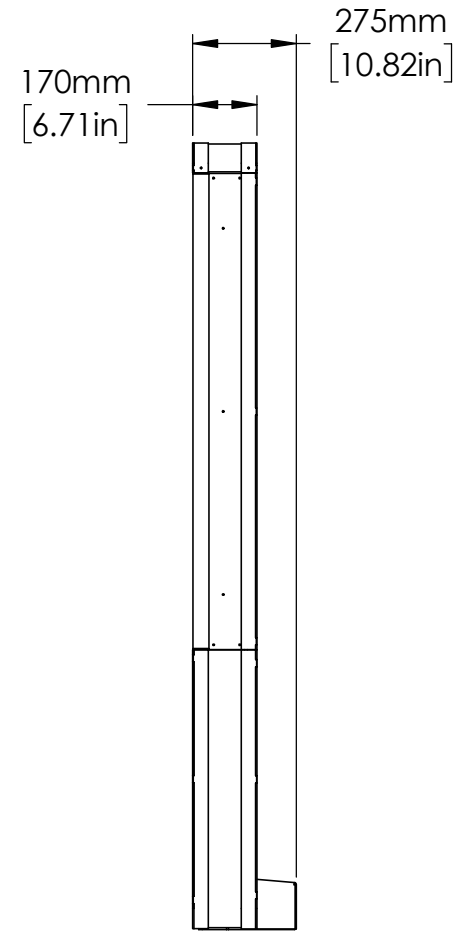
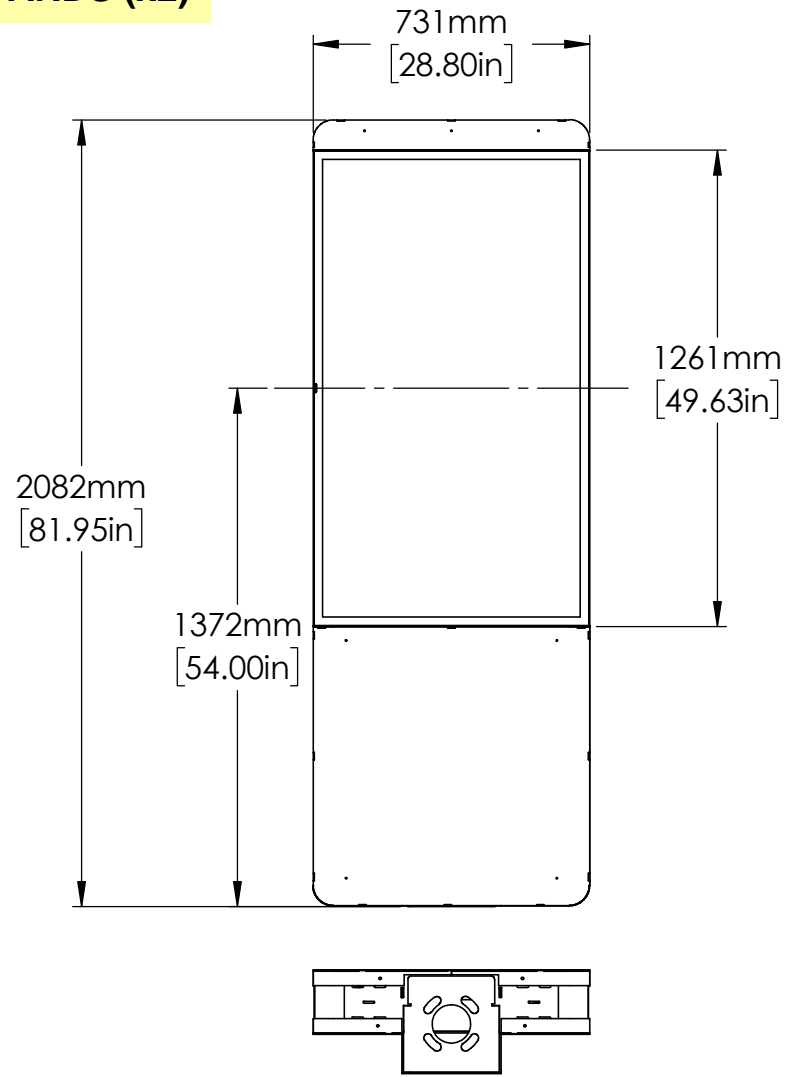
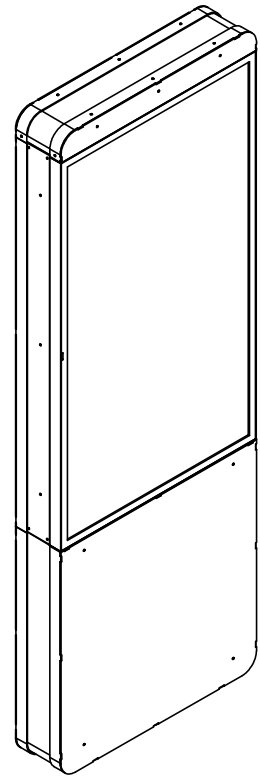
www.pattison.com / toll free (866) 218-1976

© 2018 PATTISON SIGN GROUP. ALL RIGHTS RESERVED. NO PART OF THIS DRAWING MAY BE REPRODUCED IN ANY FORM WITHOUT WRITTEN PERMISSION FROM PATTISON SIGN GROUP.

CUSTOMER:	MCDONALD'S #29167	CASE:	61922
LOCATION:	115 HAMILTON STREET NORTH, WATERDOWN, ON		
DRAWN BY:	J. LATOUF	DATE:	03/12/21
CHECKED BY:	S. LULL	SCALE:	1 1/2" = 1'-0"
REFERENCE:	CC1-61922	PAGE:	1 of 1

SIGN 10a & 10b - DIGITAL PRESELL BOARDS (x2)

x2



FOUNDATION CONNECTION PLATE DETAIL A
SCALE 1:5

NOTES

1. STRUCTURAL DESIGN SCOPE INCLUDES METAL FRAME, FOUNDATION CONNECTION PLATE, AND ENCLOSURE ONLY - ANCHORAGE IS RESPONSIBILITY OF OTHERS.
2. FRAME HAS BEEN DESIGNED FOR THE FOLLOWING PARAMETERS IN ACCORDANCE WITH FIGURE I-24 IN THE STRUCTURAL COMMENTARY:
Cf = 1.1
Cn = 1.0
Cg = 2.0
Ce = 0.9
3. MENU BOARD STRUCTURE HAS BEEN QUALIFIED FOR INSTALLATION IN ALL ONTARIO LOCATIONS WITH Q(1/50) LESS THAN 0.7kPA AS INDICATED IN THE CLIMATIC DATA IN OBC 2012.

MATERIAL SPECIFICATIONS

1. INTERNAL FRAME MATERIALS: STEEL, POWDER COATED PANTONE PMS 425 (MATTE GREY)
2. EXTERNAL COVERS: ALUMINUM, POWDER COATED RAL9005 (MATTE BLACK)
3. EXTERNAL PERIMETER TRIM: ALUMINUM, POWDER COATED PANTONE PMS 425 (MATTE GREY)
4. DIGITAL DISPLAY EQUIPMENT: SAMSUNG OUTDOOR DISPLAY MODEL OHF/OHV

POWER & DATA REQUIREMENTS

1. POWER SUPPLY: 120V SINGLE PHASE 60 HZ 20A
2. DATA FEED: CAT6 SHIELDED CABLES WITH RJ45 TERMINATION

SIGN AREA: 1.52m²

GENERAL NOTES:

- MINIMUM CONCRETE RESISTANCE OF 3600 PSI AFTER 28 DAYS
- THE GROUND MUST NOT BE ALTERED AND MUST BE WELL DRAINED
- FOUNDATION IS BASED ON A SAFE LATERAL SOIL BEARING PRESSURE MINIMUM OF 150 PSF PER FOOT OF DEPTH. SOIL REPORT WAS NOT FURNISHED. ALLOWABLE BEARING PRESSURE SHOULD BE VERIFIED PRIOR TO PLACEMENT OF CONCRETE. DO NOT PLACE FOUNDATION IN FILL.
- ALL BACKFILL TO BE PLACED IN COMPACTED LAYERS COMPACTED TO 95% MODIFIED PROCTOR DENSITY
- DESIGN BASED IN ACCORDANCE WITH THE NBCC 2012, $q(1/50) = 0.69 \text{ kPa}$
- ELECTRICAL CONDUIT TO BE AS PER CITY CODE
- ALL VOIDS BETWEEN COLUMN BASE PLATE AND FOUNDATION SURFACE SHALL BE COMPLETELY FILLED WITH HIGH STRENGTH, NON-SHRINK GROUT

NOTE:

WHERE EXTREME FROST PENETRATION DEPTH REQUIREMENT IS GREATER THAN THE SPECIFIED DEPTH OF THIS FOUNDATION, EXTEND THE DEPTH OF THE FOUNDATION TO MEET LOCAL FROST DEPTH REQUIREMENTS.

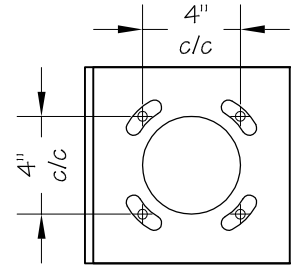
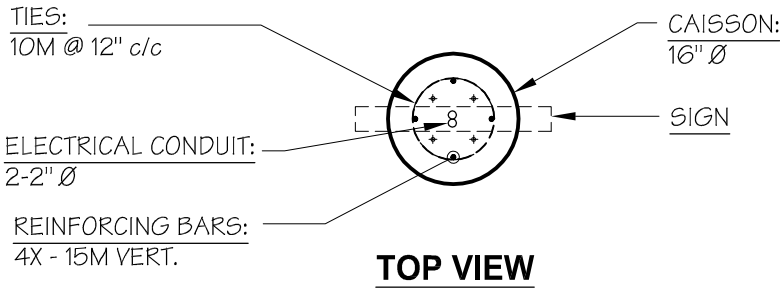
JL3-33571-2

CONCRETE BASE PLAN FOR PRE-SELL GROUND DISPLAY 6'-10"

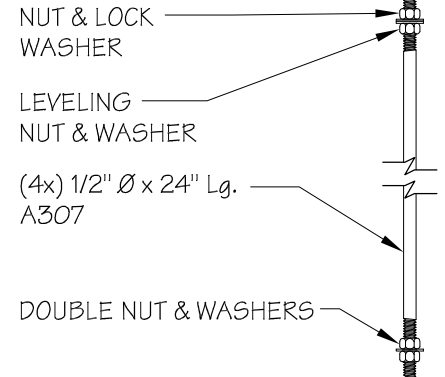
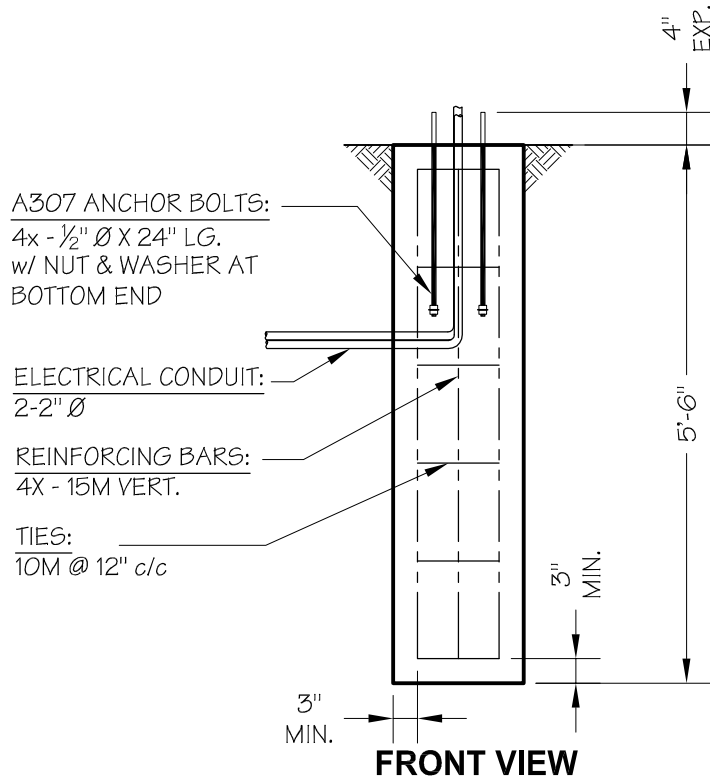
VOLTS	---	AMPS	---	CIRC.:	---
POST:	BY OTHERS				
PLATE:	BY OTHERS				
VOLUME:	0.28 CU. YD.				

REVISIONS

REV.	DESCRIPTION	DATE	APPR.
1	c/c OF ANCHORS	07/26/18	LP



SCALE: 3/4" = 1' - 0"



ANCHOR BOLT DETAIL

QTY: 4x

SCALE: 1" = 1' - 0"

ISSUED FOR PERMIT

CUSTOMER:	MCDONALD'S		
SITE:	VARIOUS CANADA (0.69 kPa)		
DRAWN BY:	L. PELLETIER	DATE:	
CHECK BY:	S. L.	04/13/18	
PAGE:	1/1	SCALE:	1/2" = 1'-0"
REFERENCE:	MC-710155-01-P		



Pattison Sign Group

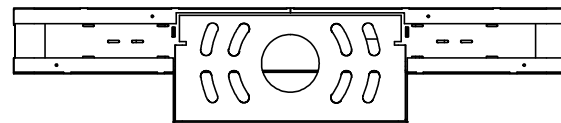
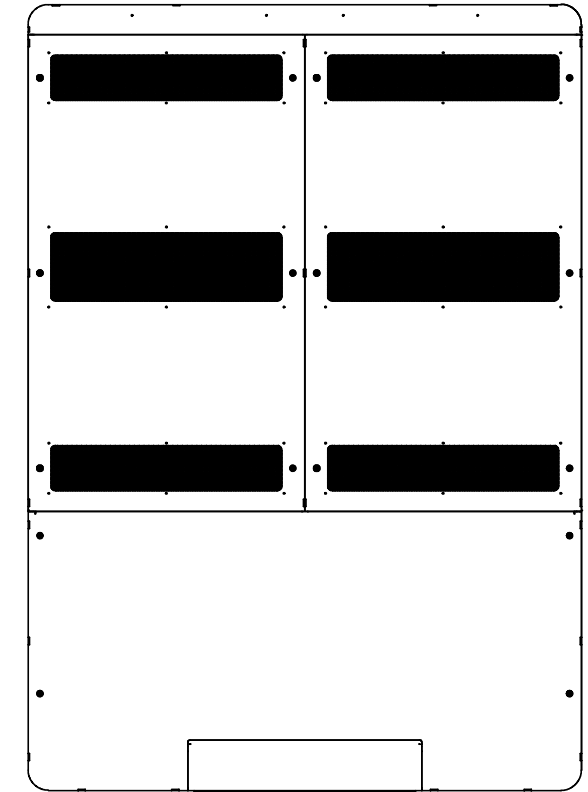
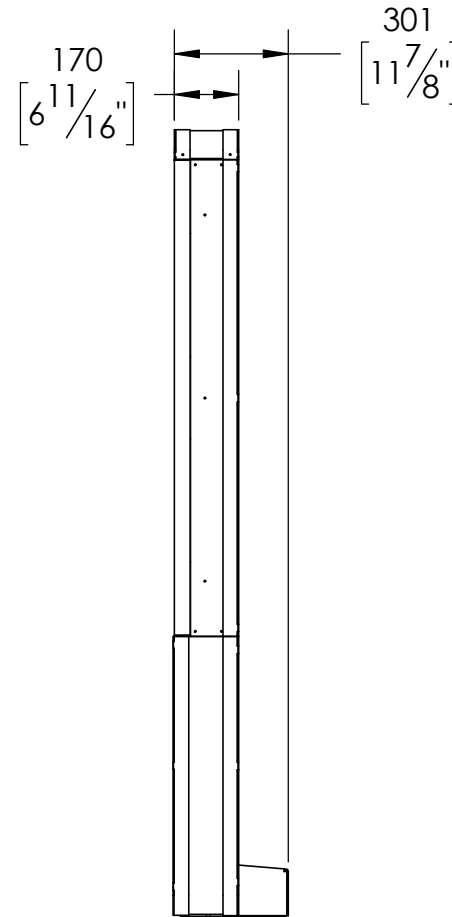
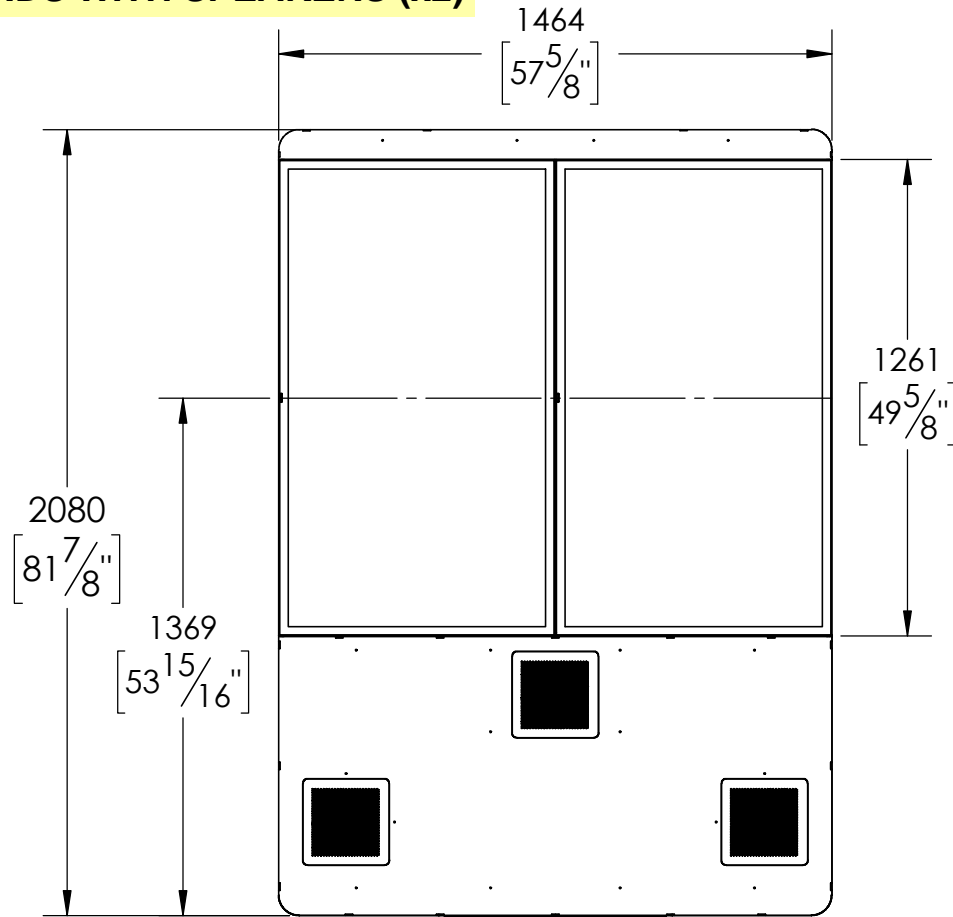
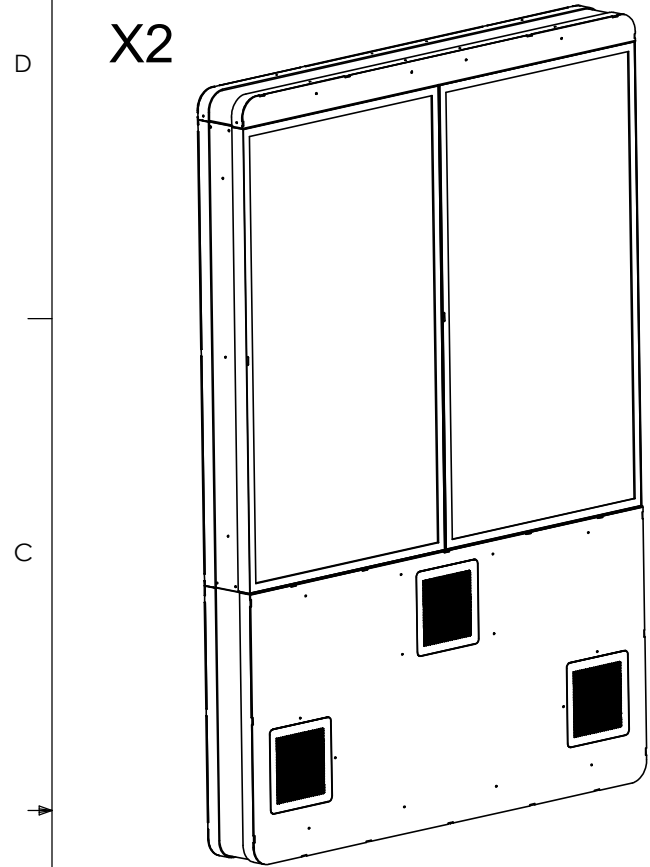
www.pattisonsign.com

		<p>This Sign is Intended to be Installed in accordance with the requirements of National Electrical Code (NEC) or NFPA 70 and of the Canadian Electrical Code (CE Code) or CSA C22.1 and / or other applicable local codes. This includes proper grounding and bonding of sign.</p>	<p>Pattison Sign Group illuminated signs product may contain Fluorescent, Neon and / or HID Lamps. These lamps contain Mercury (Hg). Dispose of these lamps with the responsibility of the recipient, according to Local, Provincial, State, or Federal Laws.</p>
--	--	---	---

IF THIS AGREEMENT INCLUDES THE MANUFACTURING AND INSTALLATION OF A BASE(S) BY PATTISON SIGN GROUP FOR THE SIGNS ORDERED HEREIN, SUCH BASE(S) SHALL BE BUILT AND INSTALLED IN ACCORDANCE WITH APPLICABLE LAWS AND REGULATIONS. IF A BASE(S) IS TO BE BUILT OR PROVIDED BY THE CUSTOMER (OR AGENT), AND NOT BY PATTISON SIGN GROUP, THE CUSTOMER SHALL ENSURE THAT THE BASE(S) ARE BUILT AND INSTALLED IN ACCORDANCE WITH APPLICABLE LAWS AND REGULATIONS AND SHALL HOLD PATTISON SIGN GROUP AND ITS EMPLOYEES, REPRESENTATIVE, AGENTS AND OFFICERS, HARMLESS AND INDEMNIFY IT AGAINST ANY AND ALL CLAIMS, LIABILITIES, ACTIONS, PENALTIES, FINES, AND ANY LEGAL FEES INCURRED BY PATTISON SIGN GROUP ARISING FROM THE FAILURE OF THE CUSTOMER (AND/OR ITS AGENT) OBLIGATION(S).

© 2018 ENSEIGNES PATTISON SIGN GROUP. ALL RIGHTS RESERVED. NO PART OF THIS DRAWING MAY BE REPRODUCED IN ANY FORM WITHOUT WRITTEN PERMISSION FROM ENSEIGNES PATTISON SIGN GROUP.

SIGN 11a & 11b- DIGITAL MENU BOARDS WITH SPEAKERS (x2)



NOTES

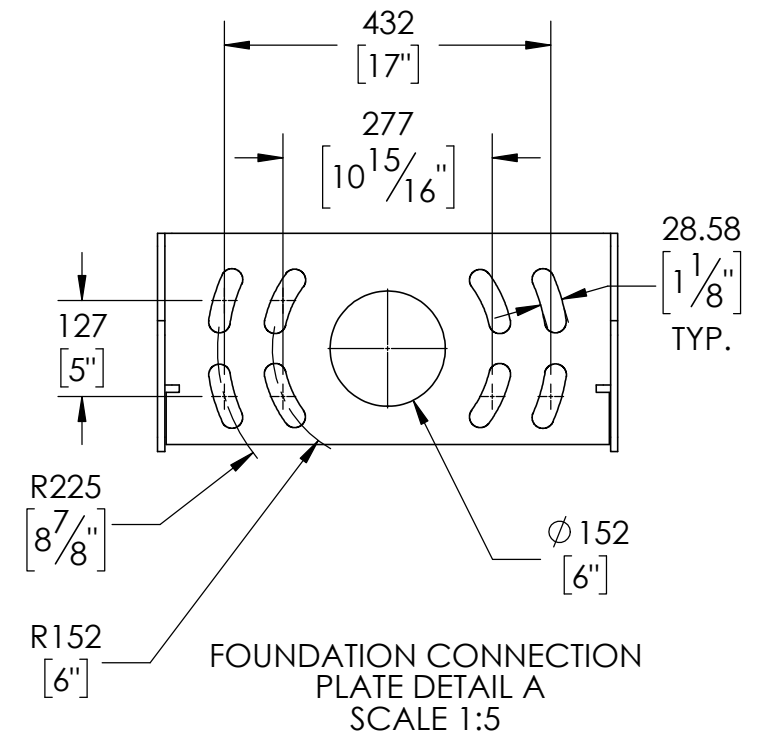
- STRUCTURAL DESIGN SCOPE INCLUDES METAL FRAME, FOUNDATION CONNECTION PLATE, AND ENCLOSURE ONLY - ANCHORAGE IS RESPONSIBILITY OF OTHERS.
- FRAME HAS BEEN DESIGNED FOR THE FOLLOWING PARAMETERS IN ACCORDANCE WITH FIGURE I-24 IN THE STRUCTURAL COMMENTARY:
 $C_f = 1.1$
 $C_n = 1.0$
 $C_g = 2.0$
 $C_e = 0.9$
- MENU BOARD STRUCTURE HAS BEEN QUALIFIED FOR INSTALLATION IN ALL ONTARIO LOCATIONS WITH $Q(1/50)$ LESS THAN 0.7KPA AS INDICATED IN THE CLIMATIC DATA IN OBC 2012.

MATERIAL SPECIFICATIONS

- INTERNAL FRAME MATERIALS: STEEL, POWDER COATED PANTONE PMS 425 (MATTE GREY)
- EXTERNAL COVERS: ALUMINUM, POWDER COATED RAL9005 (MATTE BLACK)
- EXTERNAL PERIMETER TRIM: ALUMINUM, POWDER COATED PANTONE PMS 425 (MATTE GREY)
- DIGITAL DISPLAY EQUIPMENT: SAMSUNG OUTDOOR DISPLAY MODEL OHF/OHV

POWER & DATA REQUIREMENTS

- POWER SUPPLY: 120V SINGLE PHASE 60 HZ 20A
- DATA FEED: 2X CAT6 SHIELDED CABLES WITH RJ45 TERMINATION



SIGN AREA: 3.09m²

GENERAL NOTES:

- MINIMUM CONCRETE RESISTANCE OF 3600 PSI AFTER 28 DAYS
- THE GROUND MUST NOT BE ALTERED AND MUST BE WELL DRAINED
- FOUNDATION IS BASED ON A SAFE LATERAL SOIL BEARING PRESSURE MINIMUM OF 150 PSF PER FOOT OF DEPTH. SOIL REPORT WAS NOT FURNISHED. ALLOWABLE BEARING PRESSURE SHOULD BE VERIFIED PRIOR TO PLACEMENT OF CONCRETE. DO NOT PLACE FOUNDATION IN FILL.
- ALL BACKFILL TO BE PLACED IN COMPACTED LAYERS COMPACTED TO 95% MODIFIED PROCTOR DENSITY
- DESIGN BASED IN ACCORDANCE WITH THE NBCC 2012, $q(1/50) = 0.69 \text{ kPa}$
- ELECTRICAL CONDUIT TO BE AS PER CITY CODE
- ALL VOIDS BETWEEN COLUMN BASE PLATE AND FOUNDATION SURFACE SHALL BE COMPLETELY FILLED WITH HIGH STRENGTH, NON-SHRINK GROUT

NOTE:

WHERE EXTREME FROST PENETRATION DEPTH REQUIREMENT IS GREATER THAN THE SPECIFIED DEPTH OF THIS FOUNDATION, EXTEND THE DEPTH OF THE FOUNDATION TO MEET LOCAL FROST DEPTH REQUIREMENTS.

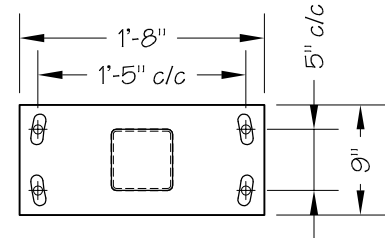
JL3-33571-1

CONCRETE BASE PLAN FOR MENU GROUND DISPLAY 6'-10 1/2"

VOLTS	--	AMPS	--	CIRC.:	--
POST: BY OTHERS	HSS 5" x 5" x 3/16" Tk. A500				
PLATE: BY OTHERS	9" x 20" x 3/4" Tk.				
VOLUME:	1.0 CU. YD.				

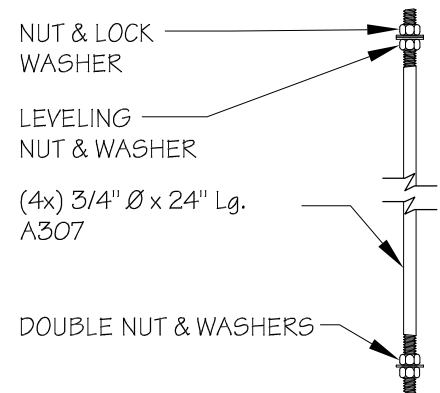
REVISIONS

REV.	DESCRIPTION	DATE	APPR.
1	---	---	---



BASE PLATE DETAIL

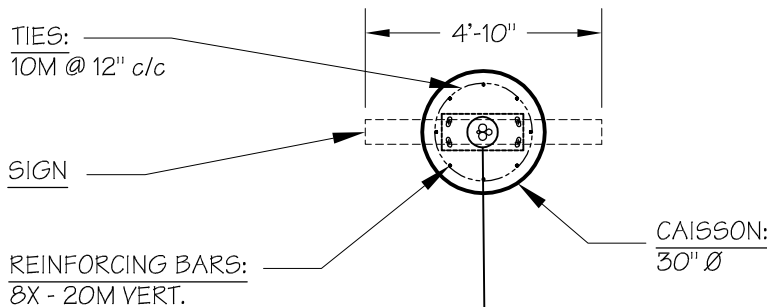
SCALE: 3/4" = 1' - 0"



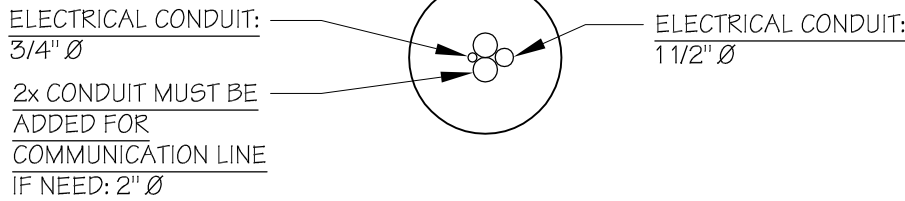
ANCHOR BOLT DETAIL

QTY: 4x

SCALE: 1" = 1' - 0"



TOP VIEW



FRONT VIEW

ISSUED FOR PERMIT

CUSTOMER:	MCDONALD'S		
SITE:	VARIOUS CANADA (0.69 kPa)		
DRAWN BY:	L. PELLETIER	DATE:	04/13/18
CHECK BY:	S. L.	SCALE:	1/4" = 1'-0"
PAGE:	1/1	REFERENCE:	SAMS-GS079x0058.150A1



**Pattison
Sign Group**

www.pattison.com

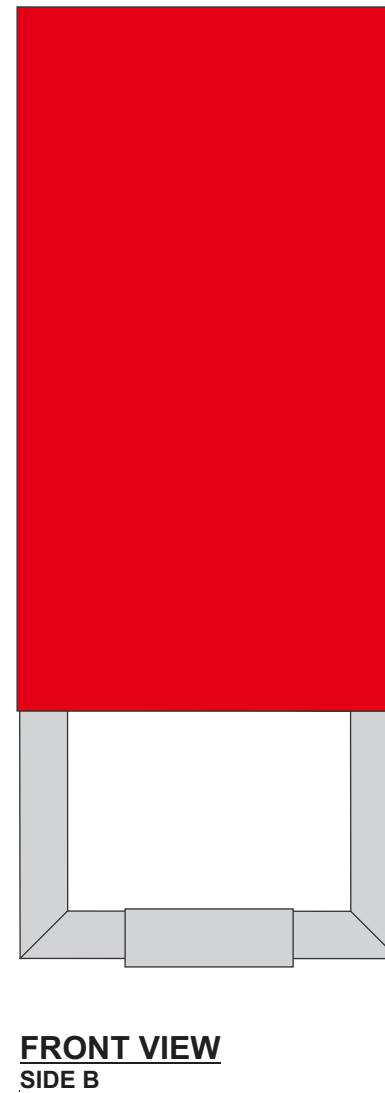
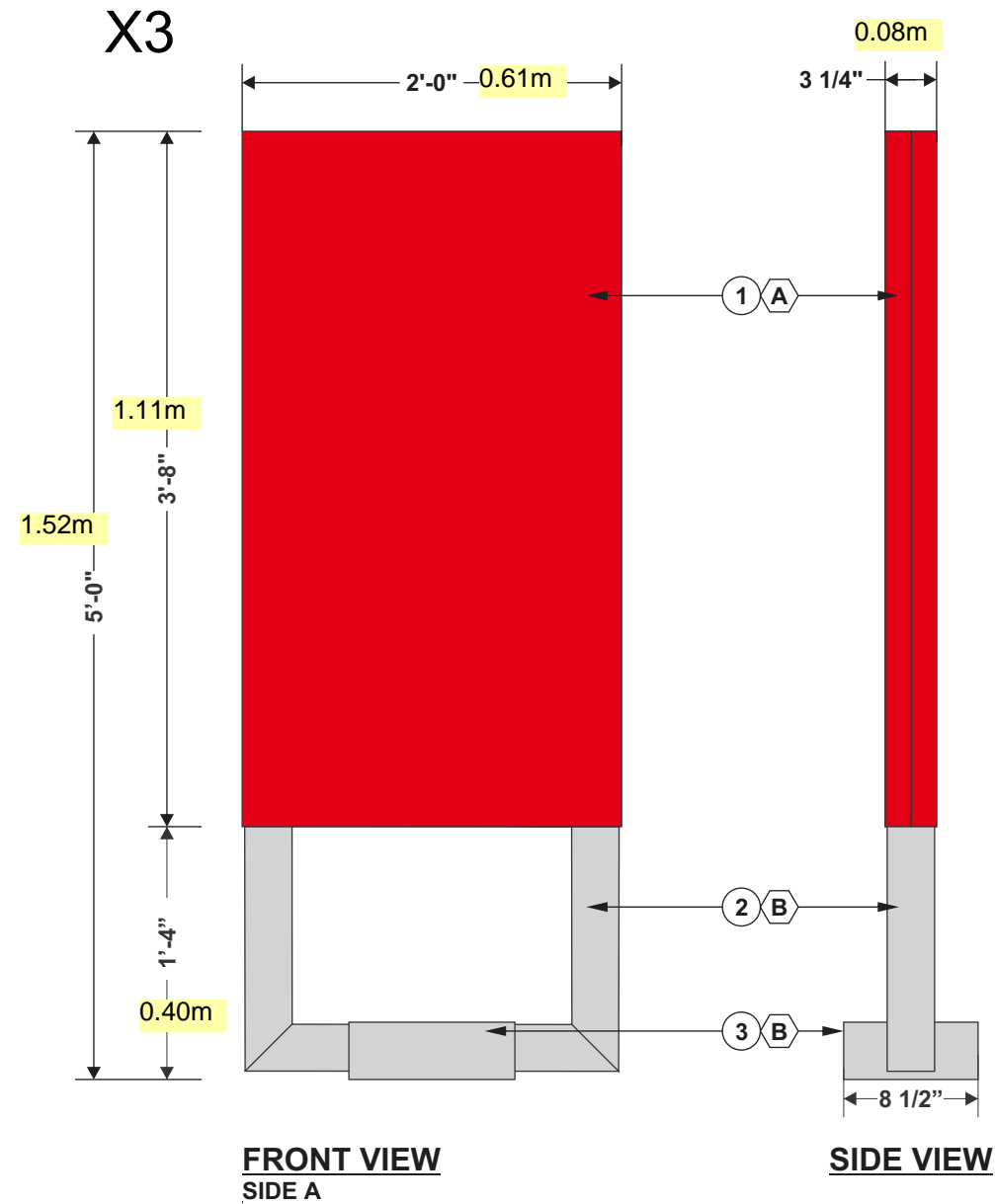
This Sign is Intended to be Installed in accordance with the requirements of National Electrical Code (NEC) or NFPA 70 and of the Canadian Electrical Code (CE Code) or CSA C22.1 and / or other applicable local codes. This includes proper grounding and bonding of sign.

Pattison Sign Group illuminated signs product may contain fluorescent, neon and / or HID lamps. These lamps contain Mercury (Hg). Dispose of these lamps with the responsibility of the recipient, according to Local, Provincial, State, or Federal Laws.

IF THIS AGREEMENT INCLUDES THE MANUFACTURING AND INSTALLATION OF A BASE(S) BY PATTISON SIGN GROUP FOR THE SIGNS ORDERED HEREIN, SUCH BASE(S) SHALL BE BUILT AND INSTALLED IN ACCORDANCE WITH APPLICABLE LAWS AND REGULATIONS. IF A BASE(S) IS TO BE BUILT OR PROVIDED BY THE CUSTOMER (OR AGENT), AND NOT BY PATTISON SIGN GROUP, THE CUSTOMER SHALL ENSURE THAT THE BASE(S) ARE BUILT AND INSTALLED IN ACCORDANCE WITH APPLICABLE LAWS AND REGULATIONS AND SHALL HOLD PATTISON SIGN GROUP AND ITS EMPLOYEES, REPRESENTATIVE, AGENTS AND OFFICERS, HARMLESS AND INDEMNIFY IT AGAINST ANY AND ALL CLAIMS, LIABILITIES, ACTIONS, PENALTIES, FINES, AND ANY LEGAL FEES INCURRED BY PATTISON SIGN GROUP ARISING FROM THE FAILURE OF THE CUSTOMER (AND/OR ITS AGENT) OBLIGATION(S).

© 2018 ENSEIGNES PATTISON SIGN GROUP. ALL RIGHTS RESERVED. NO PART OF THIS DRAWING MAY BE REPRODUCED IN ANY FORM WITHOUT WRITTEN PERMISSION FROM ENSEIGNES PATTISON SIGN GROUP.

SIGN 12a to 12c - D/F ILLUMINATED DIRECTIONAL SIGNS (x3)



MCDO0DR4B30003			
D/F ILLUMINATED DIRECTIONAL SIGN			
Installation:	<input type="checkbox"/> Interior:	<input checked="" type="checkbox"/> Exterior:	
Electrical specifications:			
Volts:	120	Amp.:	0.3
		Circ.:	1
# Descriptions:			
1	ROUTED 1/8" TK. ALUMINUM FACE BACKED WITH 0.118" TK. SABIC POLYCARBONATE (SEE DRAWING MCDO0RFXAX0014 FOR GRAPHIC OPTION)		
2	ALUMINUM TUBING		
3	ALUMINUM BASE COVER		

Notes:
 1 SEE TECHNICAL DRAWING FOR MORE DETAIL

#	Colors:
A	PAINTED TO MATCH RED VINYL #3630-2609
B	PAINTED TO MATCH SILVER COIL AT 70% GLOSS

#	Revision(s)	By:	Date:
1	ADD GRAPHICS OPTION PAGE 3 TO 7	AC	09.22.2016
2	REVISED POWER SUPPLY	LL	12.22.2022
3	REVISED TO MATCH STD.	LL	11.07.2023
4	REMOVED "DO NOT USE" FACES AND CREATE PDF "MCDO0DR4B30003-FACES"	CC	03.25.2024

SIGN AREA: 0.68m²

Customer Approval: _____ Date: ___/___/___

PRODUCTION INFORMATION : LF 01.09.2024	
FS\MCDO0 (McDonald's)\Directionnel\MCDO0DR4B30003 3'-8" X 2'-0"	Descriptions: Plate #:
	ALUMINUM MCD1E9B7020-1 &-2
	ALUMINUM MCDO0DR4B30003-1
XX	XX
XX	XX
XX	XX
XX	XX
XX	XX



Tel: (506) 735-5506 | Fax: (877) 737-1734 | Toll Free: 1-800-561-9798

Client:	MC DONALD'S
Site:	VARIOUS
Draftsman:	ANNIE CARRIER
Date:	08.31.2016
Checked By:	JJ
Page:	1/2
Scale:	1" = 1'-0"

GENERAL NOTES:

- MINIMUM CONCRETE RESISTANCE OF 3600 PSI AFTER 28 DAYS
- THE GROUND MUST NOT BE ALTERED AND MUST BE WELL DRAINED
- FOUNDATION IS BASED ON A SAFE LATERAL SOIL BEARING PRESSURE MINIMUM OF 150 PSF PER FOOT OF DEPTH. SOIL REPORT WAS NOT FURNISHED. ALLOWABLE BEARING PRESSURE SHOULD BE VERIFIED PRIOR TO PLACEMENT OF CONCRETE. DO NOT PLACE FOUNDATION IN FILL.
- ALL BACKFILL TO BE PLACED IN COMPACTED LAYERS COMPACTED TO 95% MODIFIED PROCTOR DENSITY
- DESIGN BASED IN ACCORDANCE WITH THE NBCC 2005, $q(1/50) = 0.69 \text{ kPa}$
- ELECTRICAL CONDUIT TO BE AS PER CITY CODE
- ALL VOIDS BETWEEN COLUMN BASE PLATE AND FOUNDATION SURFACE SHALL BE COMPLETELY FILLED WITH HIGH STRENGTH, NON-SHRINK GROUT

NOTE:

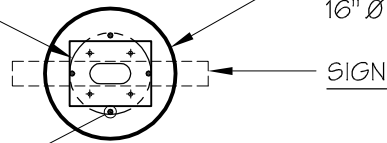
WHERE EXTREME FROST PENETRATION DEPTH REQUIREMENT IS GREATER THAN THE SPECIFIED DEPTH OF THIS FOUNDATION, EXTEND THE DEPTH OF THE FOUNDATION TO MEET LOCAL FROST DEPTH REQUIREMENTS.

TIES:
10M @ 10" c/c

CAISSON:
16" Ø

SIGN

REINFORCING BARS:
4X - 15M VERT.



TOP VIEW

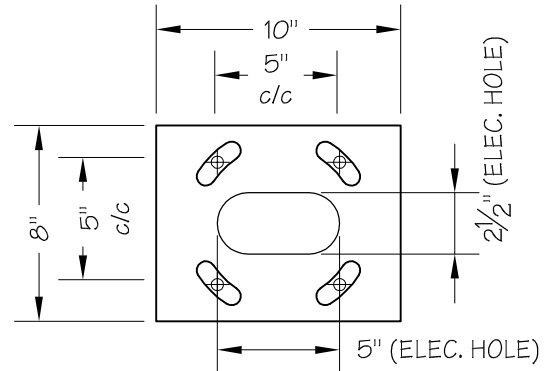
JRD-019504-1

CONCRETE BASE PLAN FOR D/F ILL. 5'-0" DIRECTIONAL SIGN

VOLTS	120	AMPS	--	CIRC.:	--
ALUM. POST:	HSS 3" x 3" x 1/8" Tk. 6061-T6				
ALUM. PLATE:	8" x 10" x 1/2" Tk.				
VOLUME:	0.22 CU. YD.				

REVISIONS

REV.	DESCRIPTION	DATE	APPR.
1	ADJUST BASE PLATE DETAIL	4/30/14	MC



**TOP VIEW
BASE PLATE DETAIL**

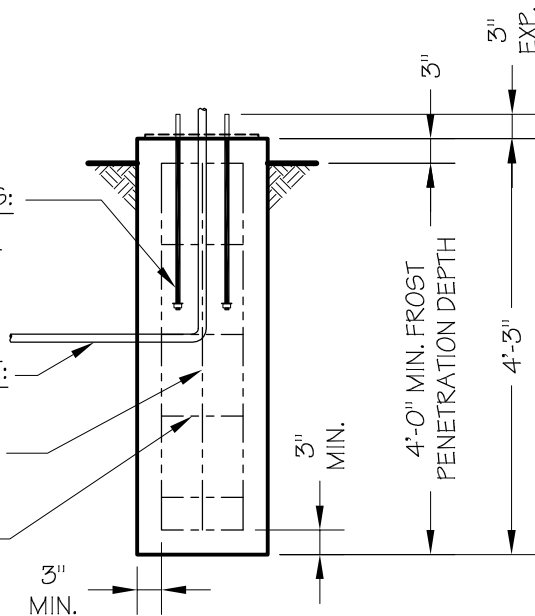
SCALE: N/A

A307 ANCHOR BOLTS:
4x - 1/2" Ø X 24" LG.
w/ NUT & WASHER AT
BOTTOM END

ELECTRICAL CONDUIT:
1" Ø

REINFORCING BARS:
4X - 15M VERT.

TIES:
10M @ 10" c/c



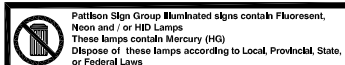
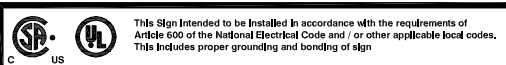
FRONT VIEW

BY: _____
DATE: ____/____/____

CONTRACT:

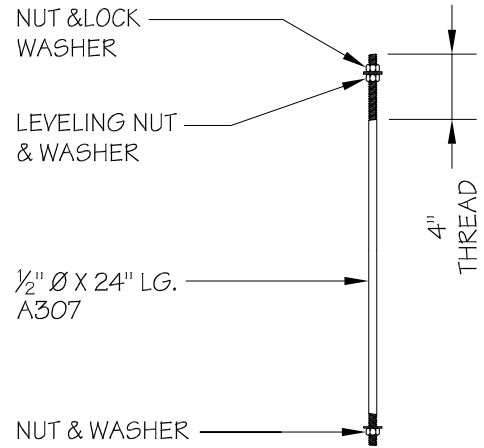
ISSUED FOR PERMIT

If this agreement includes the manufacturing and installation of a base(s) by Pattison Sign Group for the signs ordered herein, such base(s) shall be built and installed in accordance with applicable laws and regulations. If a base(s) is to be built or provided by the Customer (or its agent), and not by Pattison Sign Group, the Customer shall ensure that the base(s) are built and installed in accordance with applicable laws and regulations and shall hold Pattison Sign Group harmless and indemnify it against any and all claims, liabilities, actions, penalties, fines, and any legal fees incurred by Pattison Sign Group arising from the failure of the Customer (and/or its agent) in doing so.



ISO 9001:2008 Certified Enterprise

www.pattisonsign.com



ANCHOR BOLT DETAIL

QTE: 4x

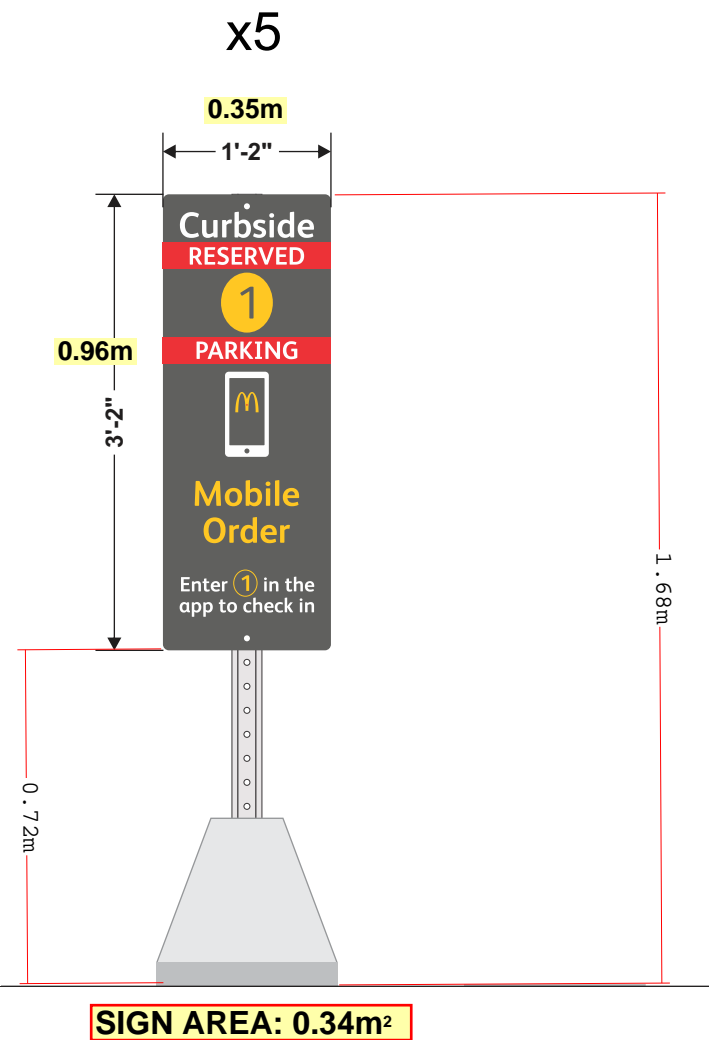
ÉCHELLE: N/A

ENSEIGNES PATTISON SIGN GROUP

• Tel (506) 735-5506 • Fax (506) 737-1740 • Toll Free 1-800-561-9798

CLIENT:	MCDONALD'S		
SITE:	VARIOUS, CAN		
DRAFTMAN:	S.LULL	DATE:	
CHECK BY:	M.A. VOISINE	03/11/13	
PAGE:	1/1	SCALE:	1/2" = 1'-0"
REFERENCE:	MCD1E9B7020		

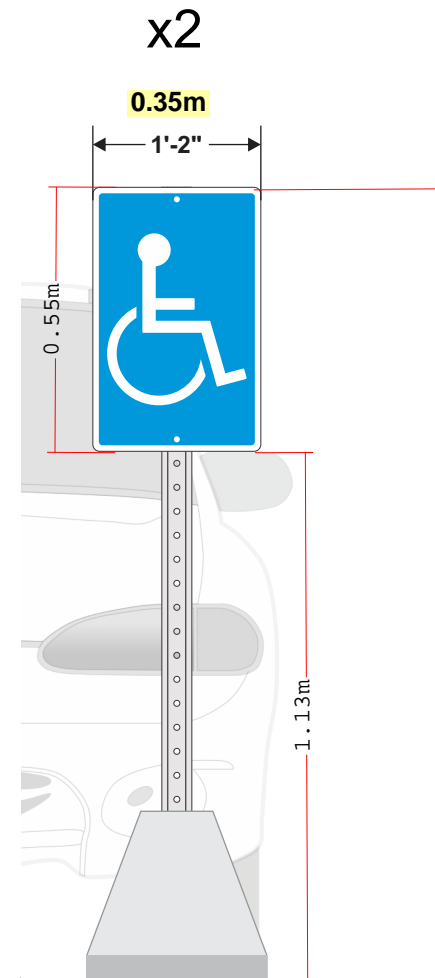
SIGN 13a to 13e - NON-ILLUMINATED PARKING LOT SIGNS (x5)



SPEC BOOK ENGLISH	
MCDelivery PARKING SIGN	
Installation:	<input type="checkbox"/> Interior <input checked="" type="checkbox"/> Exterior
Electrical Specifications:	
Volts:	T.B.D.
Amps:	T.B.D.
Circ:	T.B.D.
#	Description:
1	PAINTED 1/8" TK. ALUMINUM PANEL (1/2"Ø RADIUS) WITH VINYL APPLICATION ON FIRST SURFACE (WITH HARDWARE)
2	<p>MCD00AS4XX0049 MCD00AS4XX0050</p>



SIGN 14a & 14b - NON-ILLUMINATED PARKING LOT SIGNS (x2)



SIGN AREA: 0.19m²

SPEC BOOK ENGLISH

MCDELIVERY PARKING SIGN

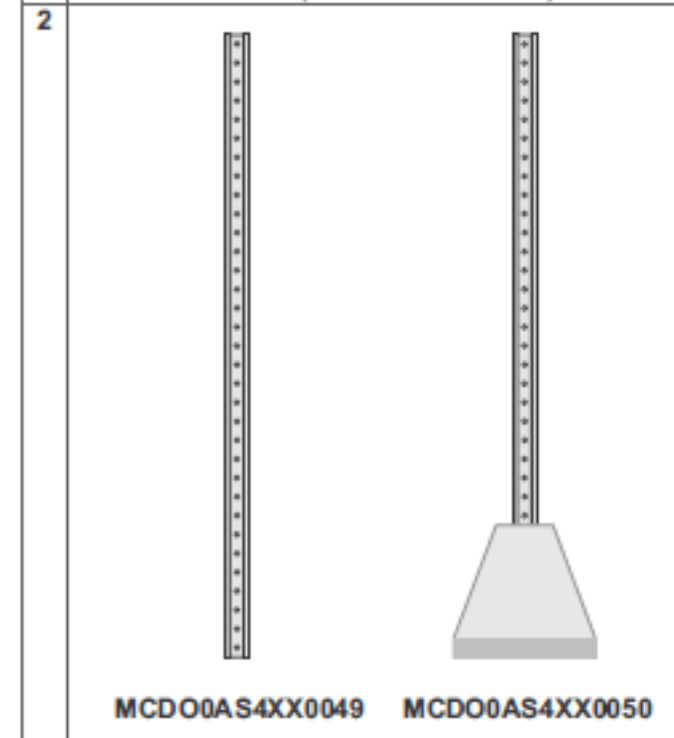
Installation: Interior Exterior

Electrical Specifications:

Volts: T.B.D. Amps: T.B.D. Circ: T.B.D.

Description:

1 PAINTED 1/8" TK. ALUMINUM PANEL (1/2"Ø RADIUS) WITH VINYL APPLICATION ON FIRST SURFACE (WITH HARDWARE)



SIGN 15 - STEEL CAMERA POST WITH COVER

MCD00ST3XX0022

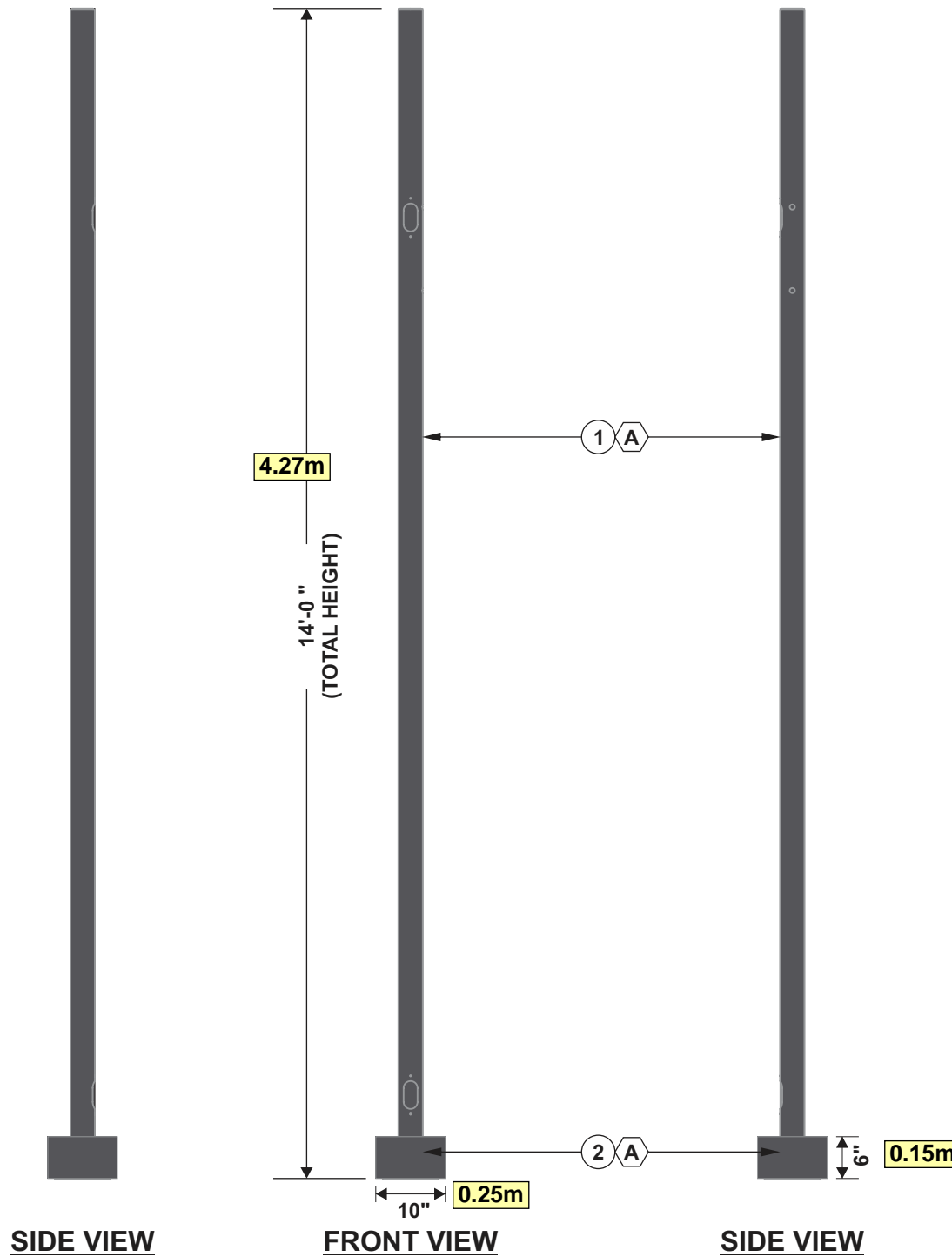
STEEL CAMERA POST WITH BASE COVER

Installation:	<input type="checkbox"/> Interior:	<input checked="" type="checkbox"/> Exterior:
Electrical specifications:		
Volts:	N/A	Amp.: N/A
		Circ.: N/A
# Descriptions:		
1	STEEL POST	
2	ALUMINUM BASE COVER	

Notes:
 1 SEE TECHNICAL DRAWING FOR MORE DETAIL

Colors:
 A PAINTED TO MATCH COOL GREY PMS 11C

Revision(s) By: Date:
 1 REVISED TO MATCH STD. LL 11.15.2023



Customer Approval: _____ Date: ____/____/____

PRODUCTION INFORMATION : XX	
XX	Descriptions: Plate #:
XX	XX
XX	XX
XX	XX
XX	XX
XX	XX
XX	XX
XX	XX

www.pattisonsign.com



Tel: (506) 735-5506 | Fax: (877) 737-1734 | Toll Free: 1-800-561-9798

Client:	MCDONALD'S		
Site:	VARIOUS		
Draftsman:	LOUISE LANDRY	Date:	11.15.2023
Checked By:	CC		
Page:	1/1	Scale:	1"=1'-0"

SIGN 16 - ILLUMINATED D/F PYLON



SIGNAREA: 39.06 FT² - 3.63 M²

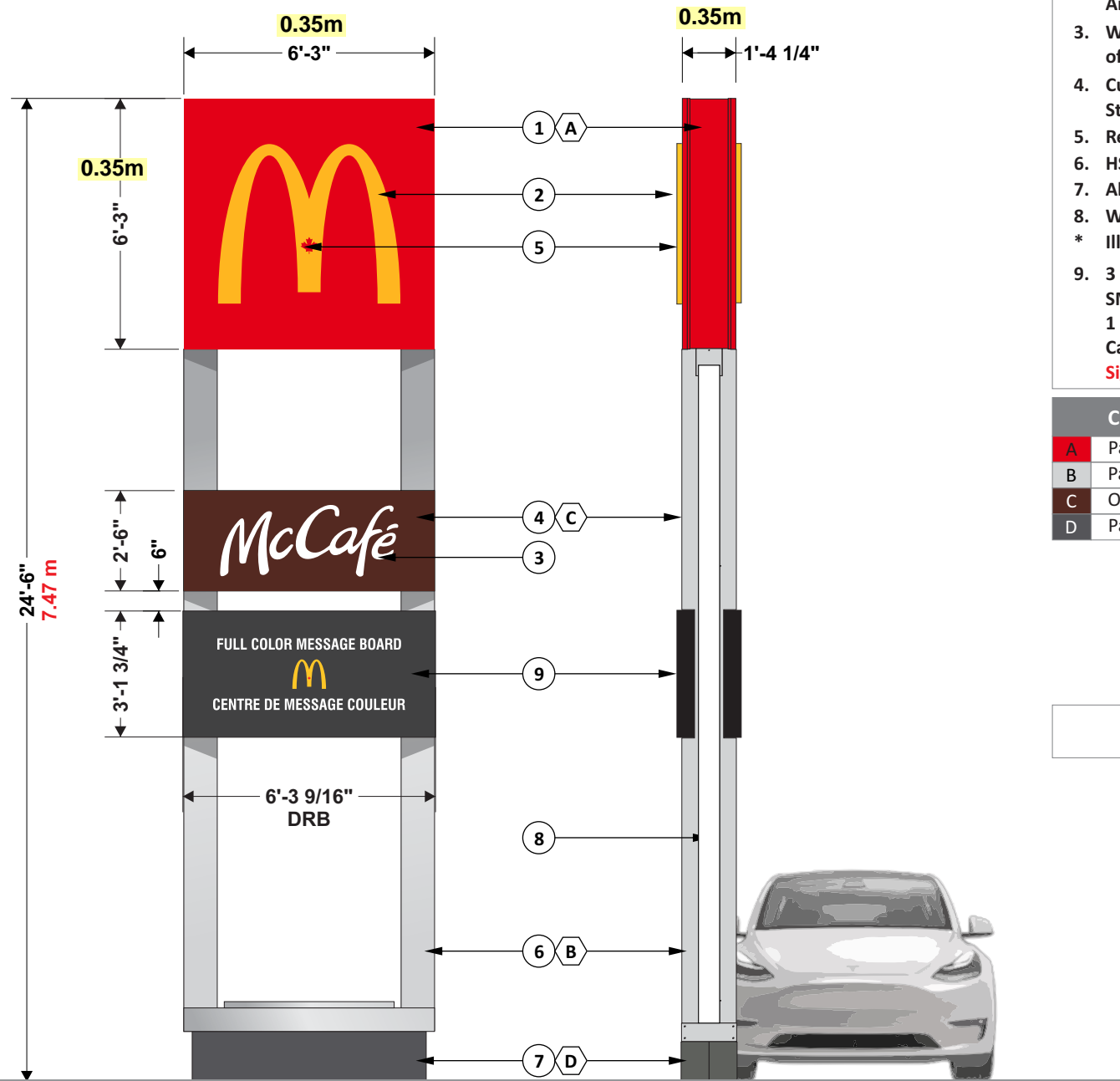


SIGNAREA: 15.63 FT² - 1.45 M²



SIGNAREA: 19.81 FT² - 1.84 M²

TOTAL SIGN AREA: 74.50 FT² - 6.92 M²



FRONT VIEW
24'-6" ROAD SIGN

SIDE VIEW

D/F Illuminated Road Sign

- | # | Description |
|----|---|
| 1. | Aluminum Sheet Sign Box with Aluminum Faces and internal Structure |
| 2. | Molded Sabic Yellow Polycarbonate Arches Logo |
| 3. | White Sabic Lexan Stud mounted to Back of Aluminum Face |
| 4. | Cut out Aluminum Face with internal Structure |
| 5. | Red Acrylic maple Leaf |
| 6. | HSS Post with Aluminum Sheet Decor |
| 7. | Aluminum Sheet Base Cover & Decor |
| 8. | White Sabic Lexan |
| * | Illuminated with White LED |
| 9. | 3 x 6 MCDO0DF4E30068 BRAVA Series SMD 6.67mm LED exterior Digital Display, 1 Primary and 1 Secondary Matrix 144 x 288 Cabinet Size: 3'-1 3/4" H x 6'-3 9/16" W
Sign Area: 19.81 FT² - 1.84 M² |

Colors:

A	Painted to match Red Vinyl 3M #3630-2609
B	Painted to match Silver Coil @ 70% gloss
C	Opaque Brown Paint to match PMS #4695
D	Painted PMS Cool Grey 11C

HEIGHT AND SIGN SIZE T.B.V.
USE OF DRB T.B.V.

Project ID
AM6-94410C

McDonald's # 41511
Hwy 26 & Grand Trunk Rd
Stayner, ON

Sign Item

Date: 01-22-2025
Scale: 3/32"=1'-0"
Contact: Aurelia Michaud
Designer: Claudia Vogt

Revision Note

Text box

Information Required for Production

Text box

Customer Approval

Signature

MM/DD/YYYY

All rights reserved. The artwork depicted herein are copyrighted and are the exclusive property of Pattison ID and as such cannot be reproduced and/or distributed, in whole or in part, without written permission of Pattison ID.

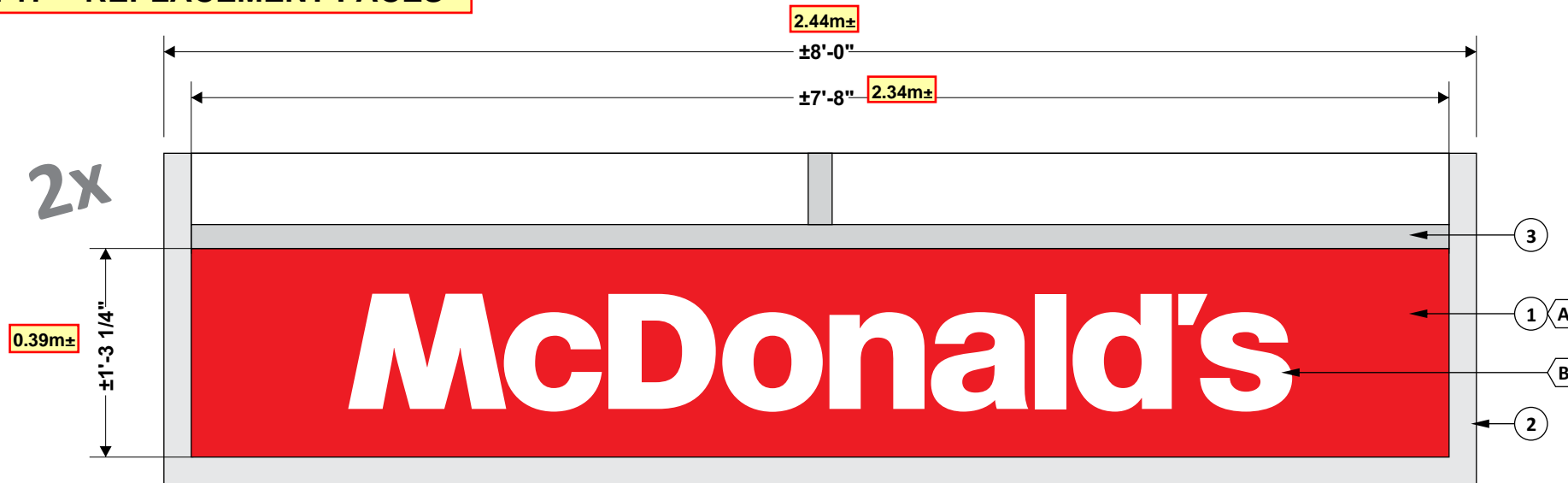
It is the Customer's responsibility to ensure that the sign installation location is suitable to accept and support the installation of the signs being ordered. Notify Pattison ID immediately if further details are required.



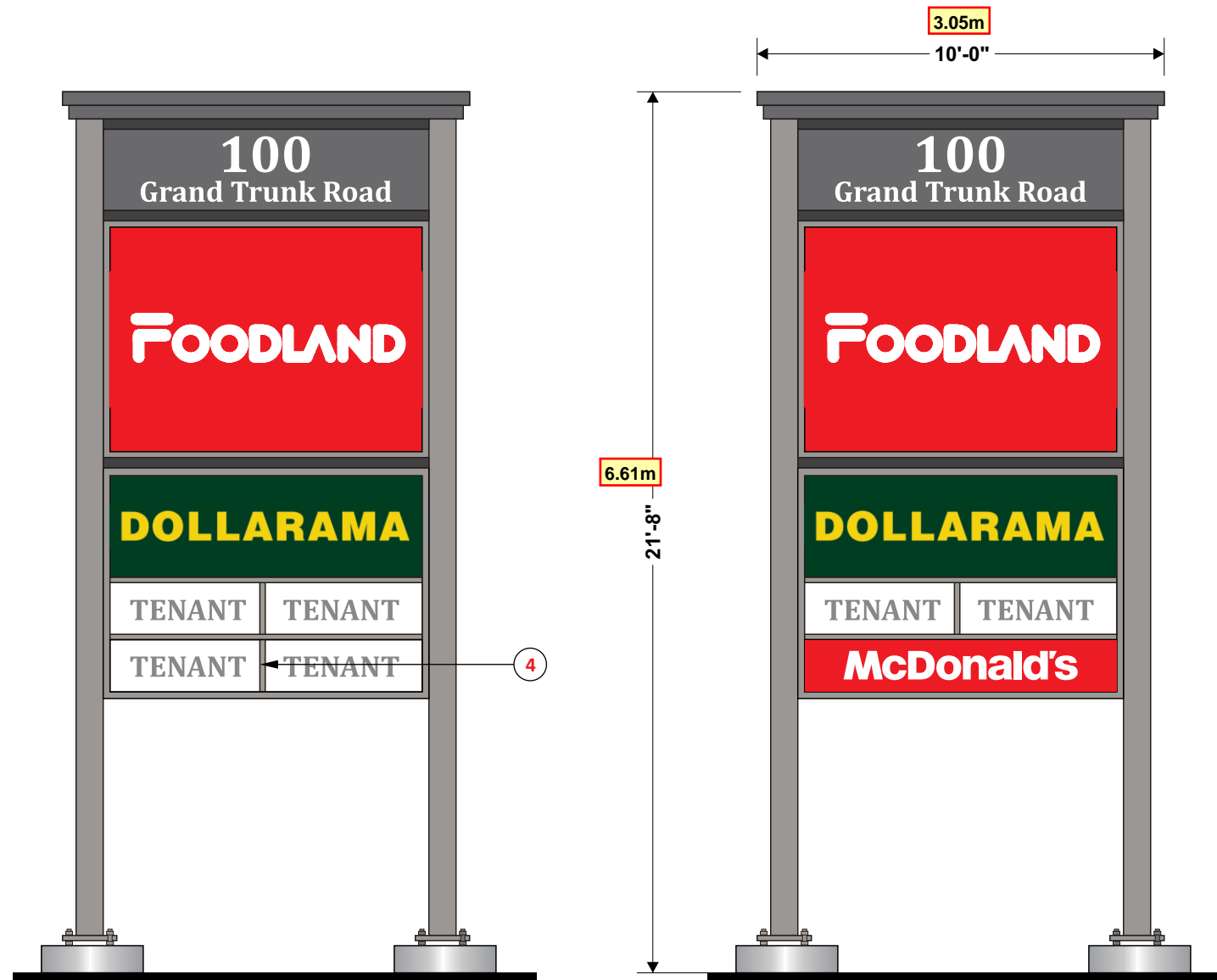
1.866.635.1110
pattisonid.com

NOTE: TECHNICAL SURVEY HAS NOT BEEN PERFORMED. DIMENSIONS MUST BE VERIFIED PRIOR TO PRODUCTION.

SIGN 17 - REPLACEMENT FACES



FRONT VIEW
SCALE: 1" = 1'-0"



VISUALIZATION

Replacement faces

#	Description
1.	3/16" tk. clear flat lexan face with vinyl application on second surface
2.	Existing retainer details to follow
3.	Existing H-divider details to follow
4.	Existing vertical H-divider to be removed or separate faces required - t.b.d.

Colors:	
A	Red vinyl 3M #3630-2609
B	White vinyl #3630-20

SIGN AREA: ±0.95m²

Project ID
AM6-94410C

McDonald's # 41511
Hwy 26 & Grand Trunk Rd
Stayner, ON

Sign Item

Date: 01-22-2025
Scale: indicated
Contact: Aurela Michaud
Designer: Claudia Vogt

Revision Note

R1 (CV) - 03.05.2025
- added page

Information Required for Production

Survey required

Customer Approval

Signature

MM/DD/YYYY

All rights reserved. The artwork depicted herein are copyrighted and are the exclusive property of Pattison ID and as such cannot be reproduced and/or distributed, in whole or in part, without written permission of Pattison ID.

It is the Customer's responsibility to ensure that the sign installation location is suitable to accept and support the installation of the signs being ordered. Notify Pattison ID immediately if further details are required.

Pattison



1.866.635.1110
pattisonid.com

NOTE: TECHNICAL SURVEY HAS NOT BEEN PERFORMED. DIMENSIONS MUST BE VERIFIED PRIOR TO PRODUCTION.

*** ACM PANEL LAYOUT AND BLADE EXTENSION TO SLAB IS ILLUSTRATIVE- DETAILS TO FOLLOW***



Blade with signage

- | # | Description |
|----|---|
| 1. | ACM panels to match Mitsubishi 4mm apolic metal cladding- color "ron-red" with internal galvanized tubing frame |
| 2. | Prefinished metal flashing at reveal color to match "Alpolic MZG Mica Grey" |
| 3. | LED light fixtures - <i>illustrative only</i> - details to follow |
| 4. | 60" Illuminated Arches Logo Sign See MCD1S4D7037 Sign Area: 29.05 FT ² - 2.69 M ² |
| 5. | 60" Illuminated McCafé Channel Letters on Raceway see MCDO0CH4P30057 Sign Area: 10.05 FT ² - 0.93 M ² |

Project ID
AM6-94410C

McDonald's # 41511
Hwy 26 & Grand Trunk Rd
Stayner, ON

Sign Item

Date: 01-22-2025
Scale: 1/4"=1'-0"
Contact: Aurela Michaud
Designer: Claudia Vogt

Revision Note

R1 (CV) - 05.05.2025
- added page

Information Required
for Production

Survey required

Customer Approval

Signature

MM/DD/YYYY

All rights reserved. The artwork depicted herein are copyrighted and are the exclusive property of Pattison ID and as such cannot be reproduced and/or distributed, in whole or in part, without written permission of Pattison ID.

It is the Customer's responsibility to ensure that the sign installation location is suitable to accept and support the installation of the signs being ordered. Notify Pattison ID immediately if further details are required.

Pattison



1.866.635.1110
pattisonid.com

NOTE: TECHNICAL SURVEY HAS NOT BEEN PERFORMED. DIMENSIONS MUST BE VERIFIED PRIOR TO PRODUCTION.